



Moulding Profile Catalog

Casing pgs. 2-10

Base pgs. 11-15

Crown pgs. 16-22

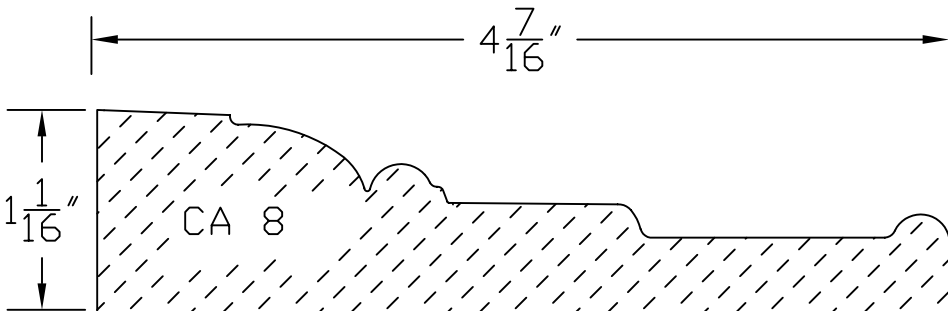
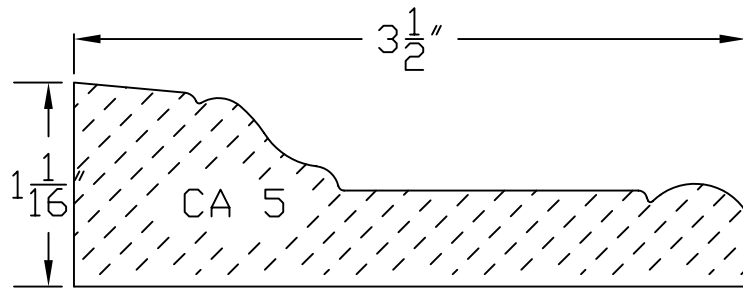
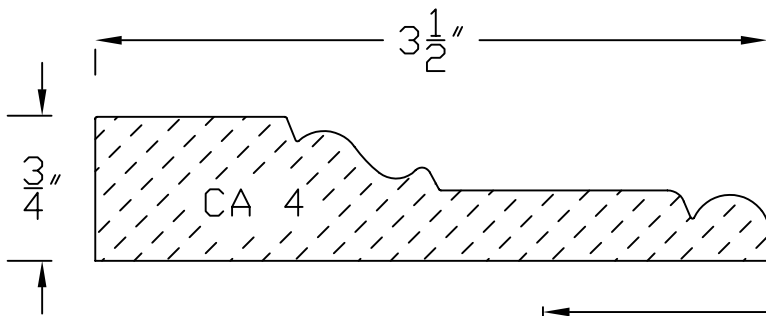
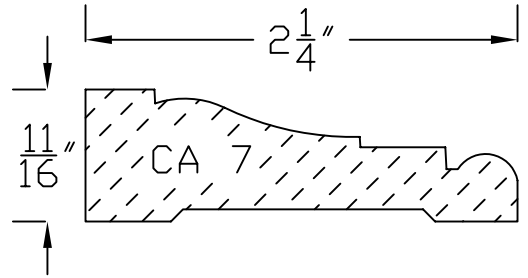
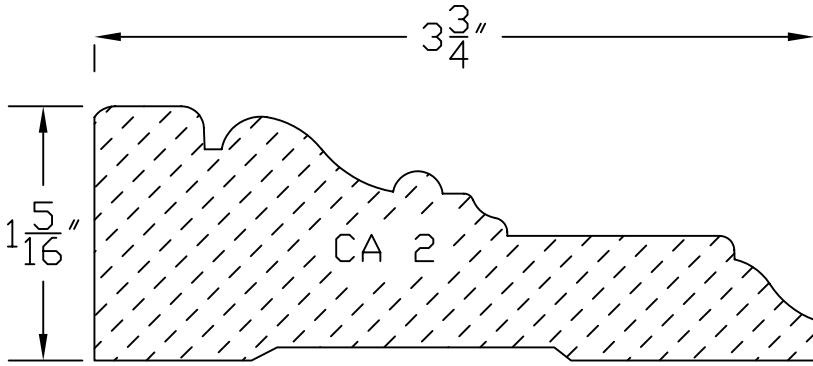
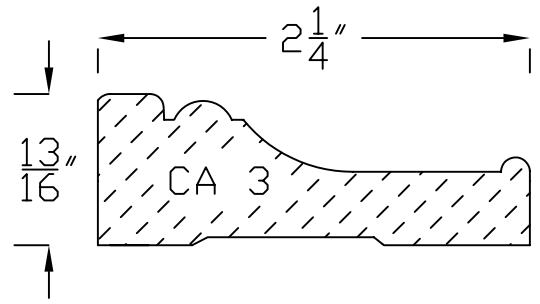
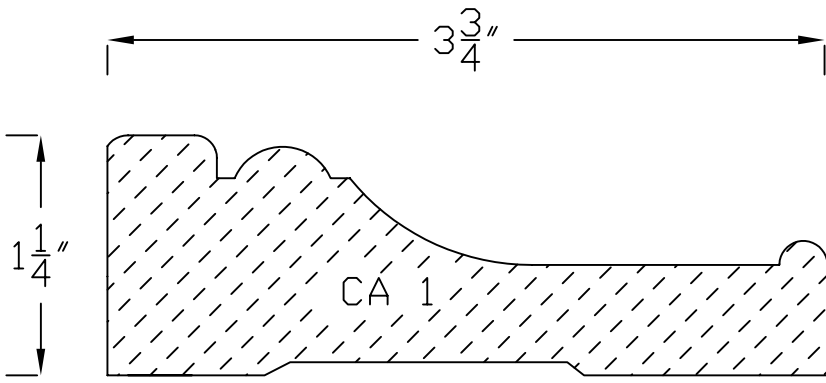
Chair Rail pgs. 23-24

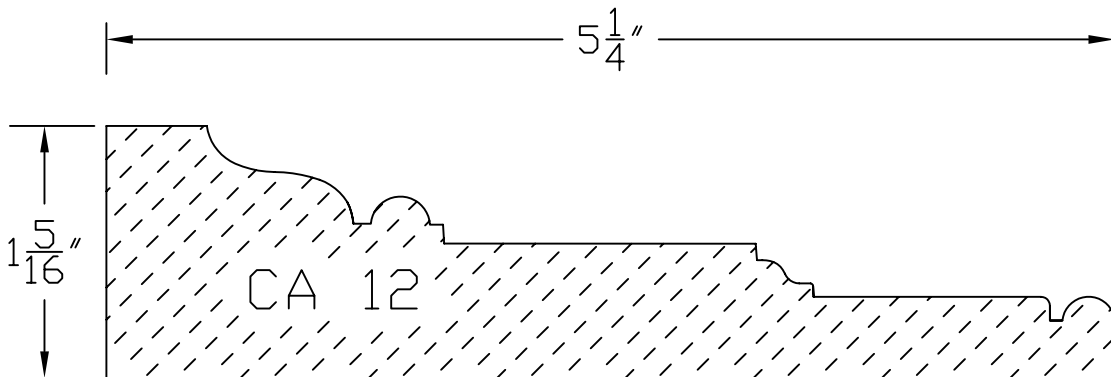
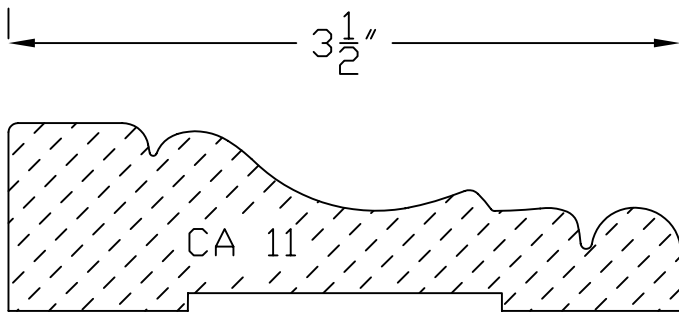
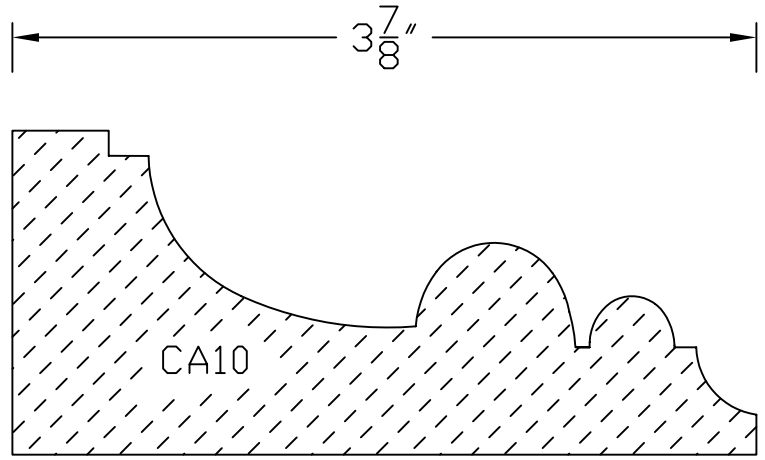
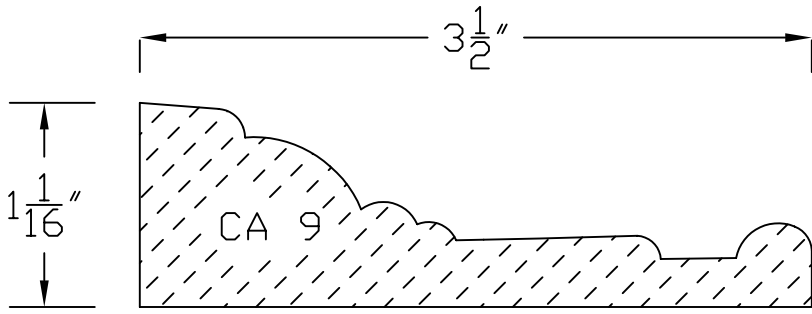
Base Cap pgs. 25-27

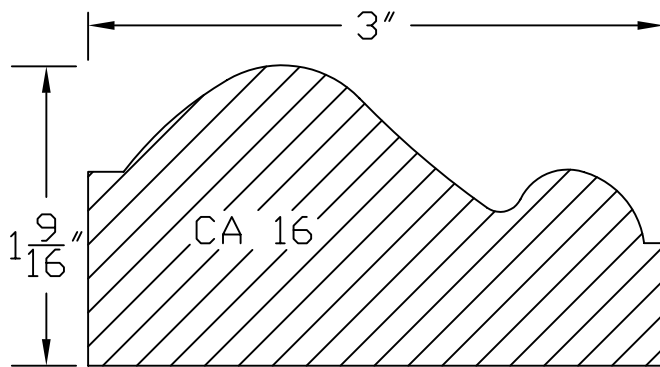
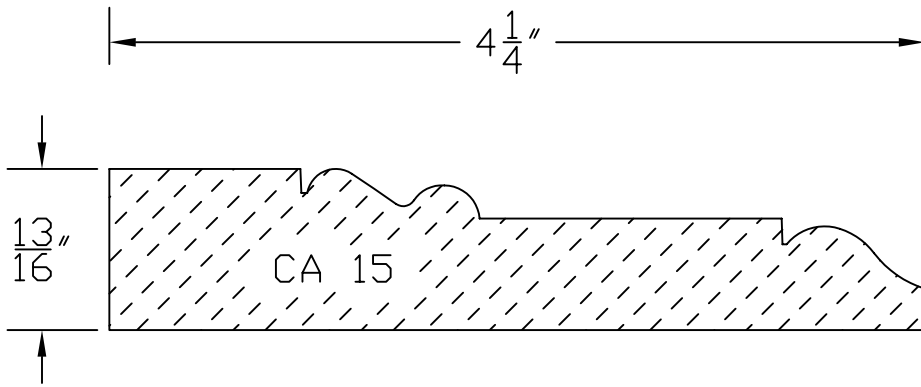
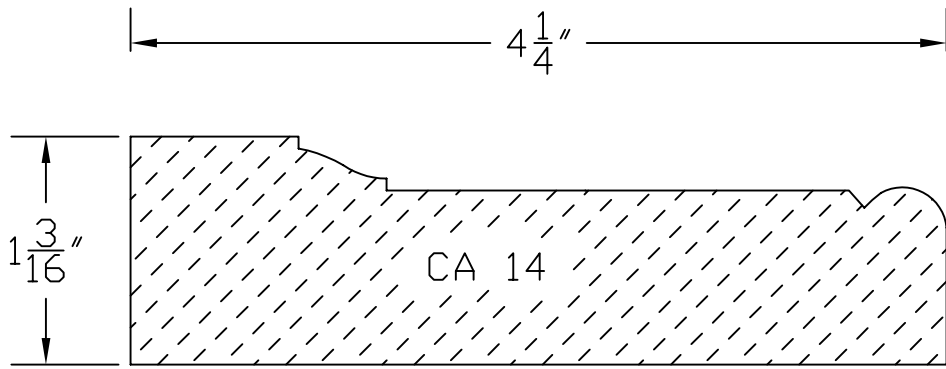
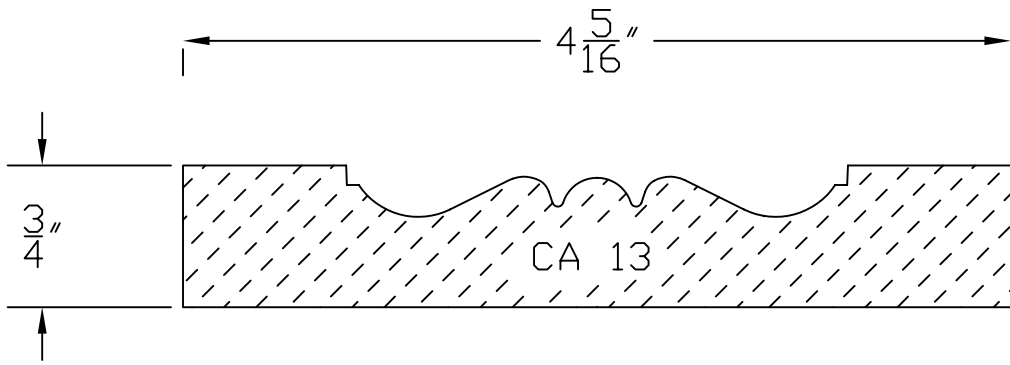
Applied Moulding pgs. 28-29

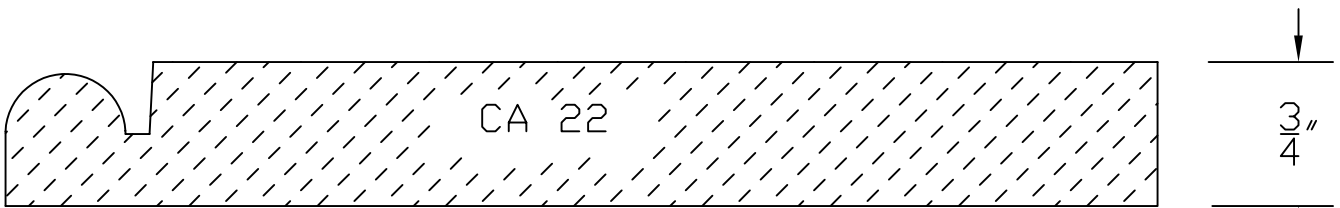
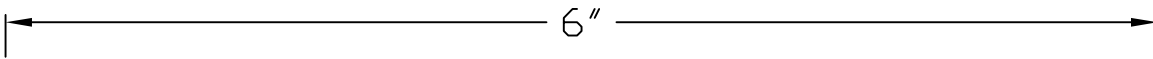
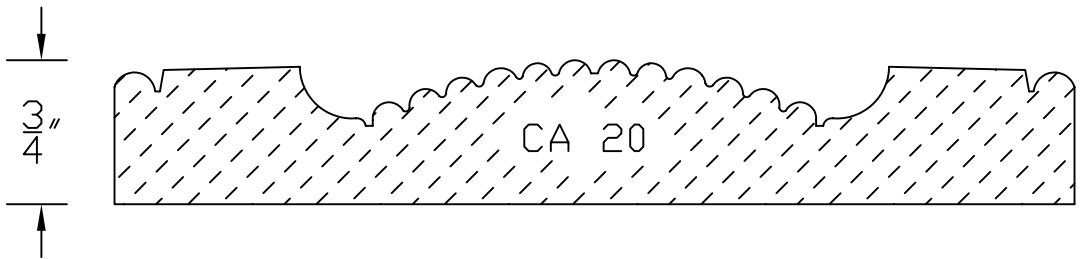
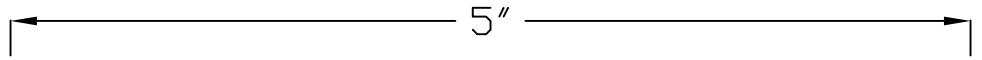
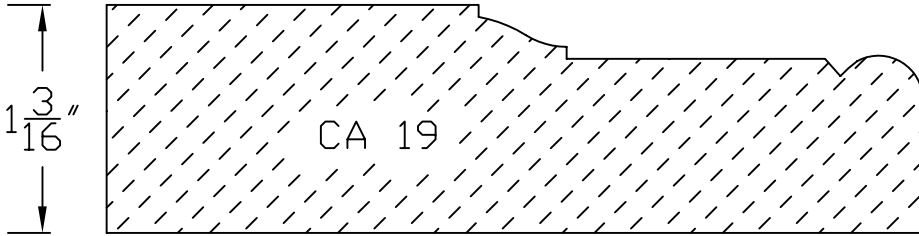
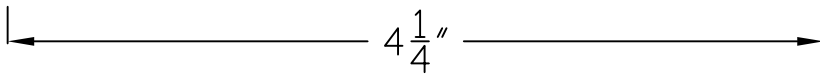
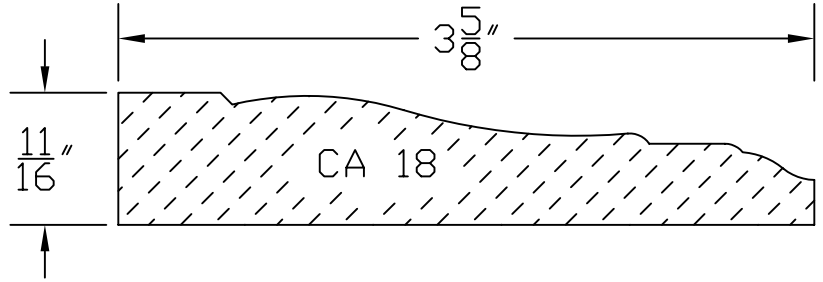
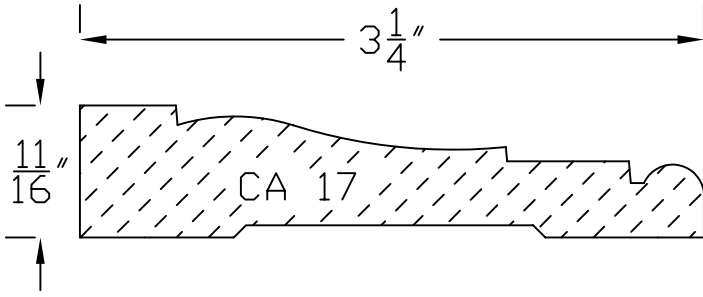
Back Band pg. 30

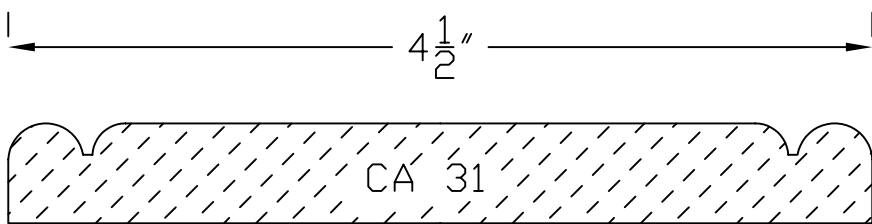
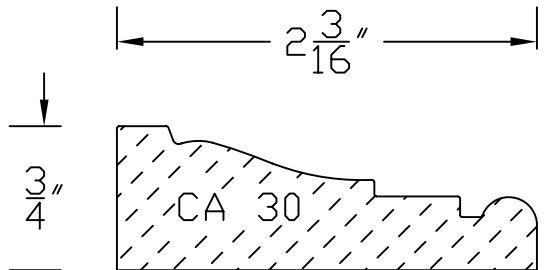
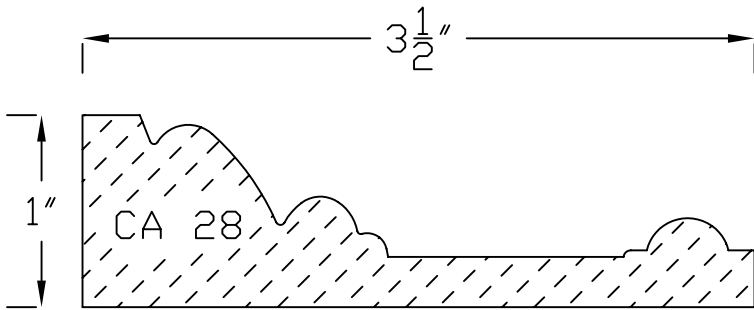
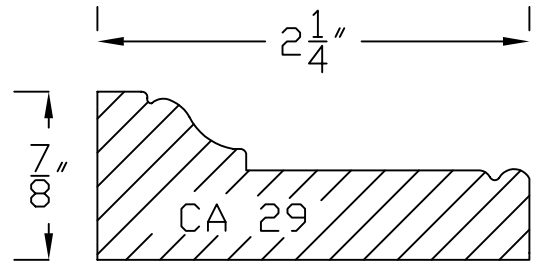
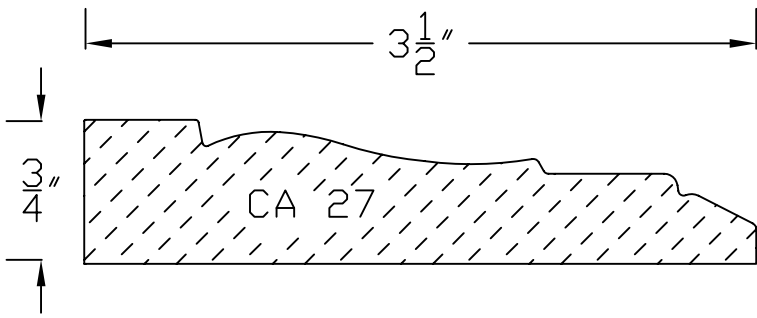
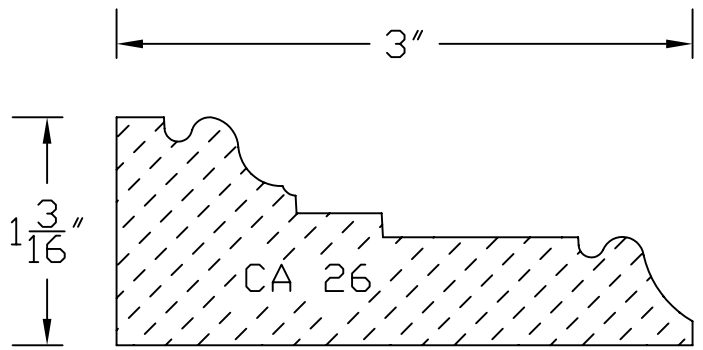
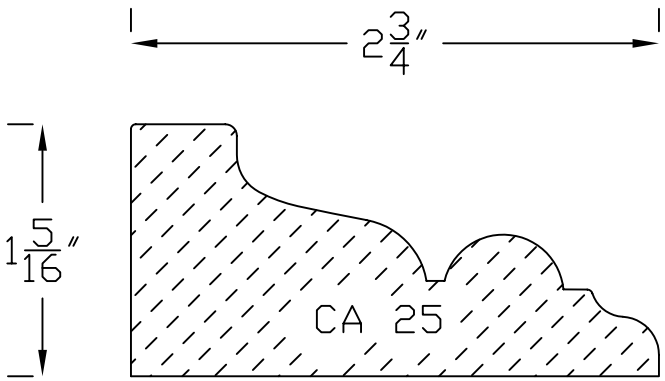
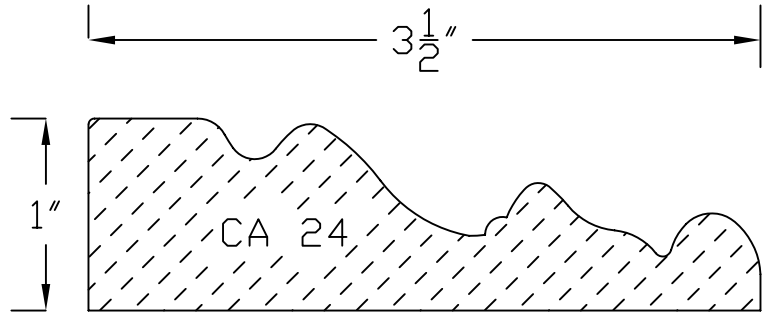
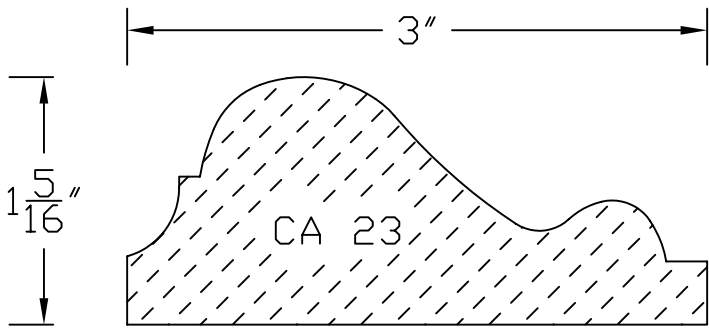
1445 Excel Ave. Chambersburg, PA. 17201
717-263-0750 Phone 717-263-3168 Fax
www.classiccraftsmandesign.com



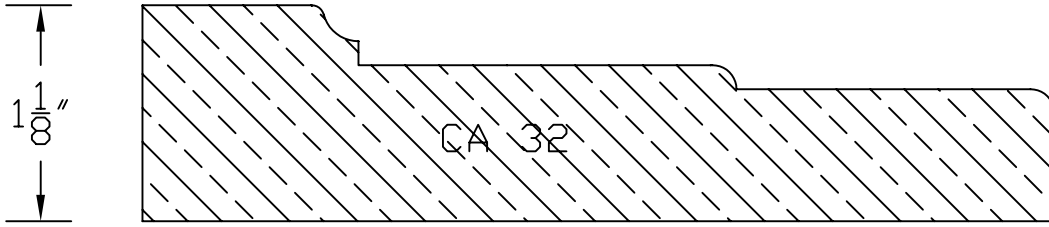




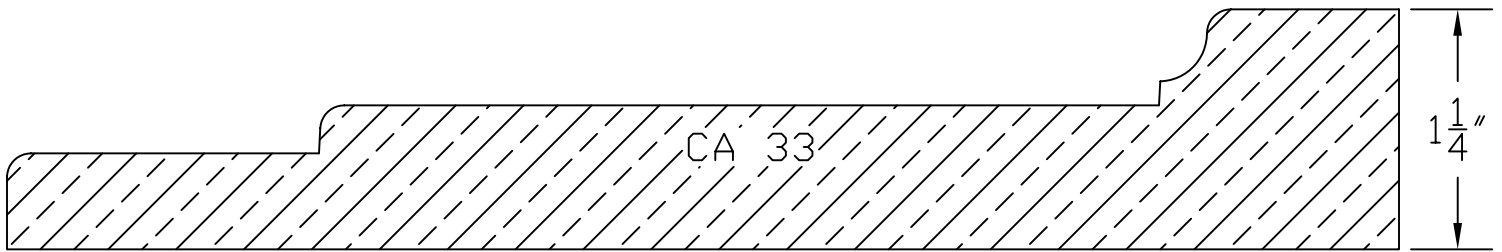




4 $\frac{3}{4}$ "



7 $\frac{1}{4}$ "



4 $\frac{5}{8}$ "

1 $\frac{5}{8}$ "

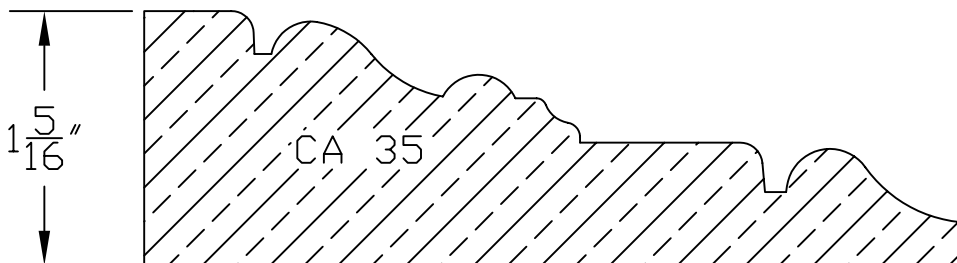
1 $\frac{3}{8}$ "

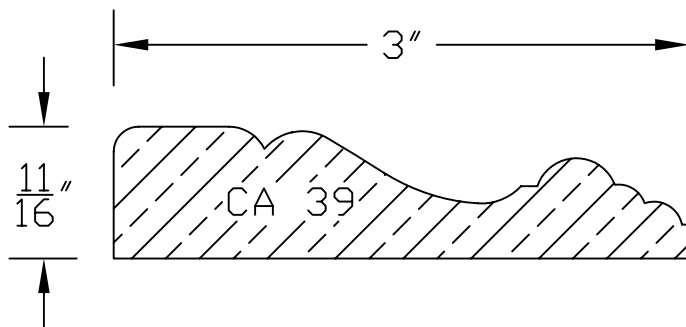
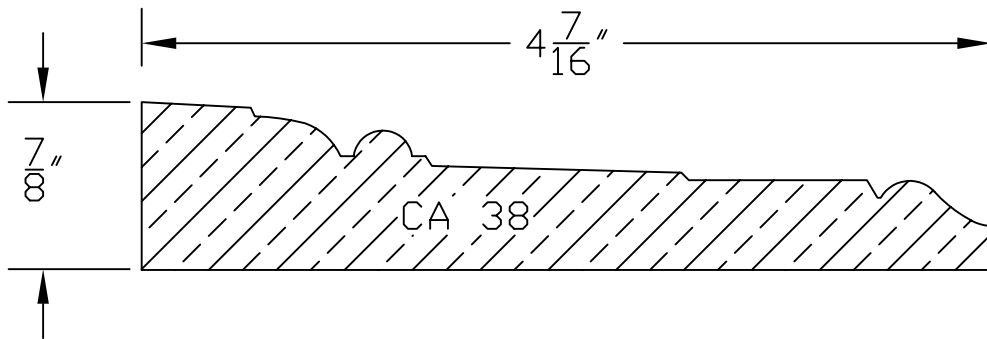
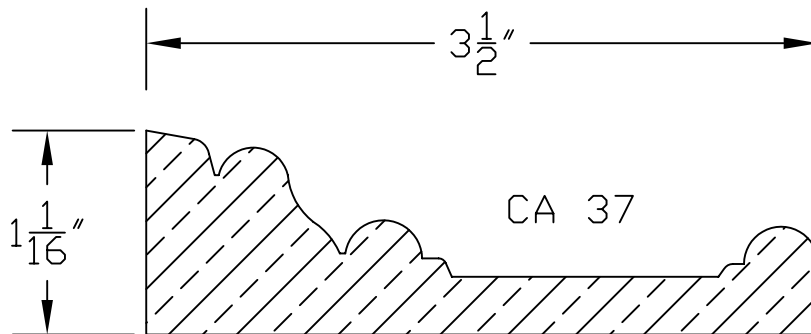
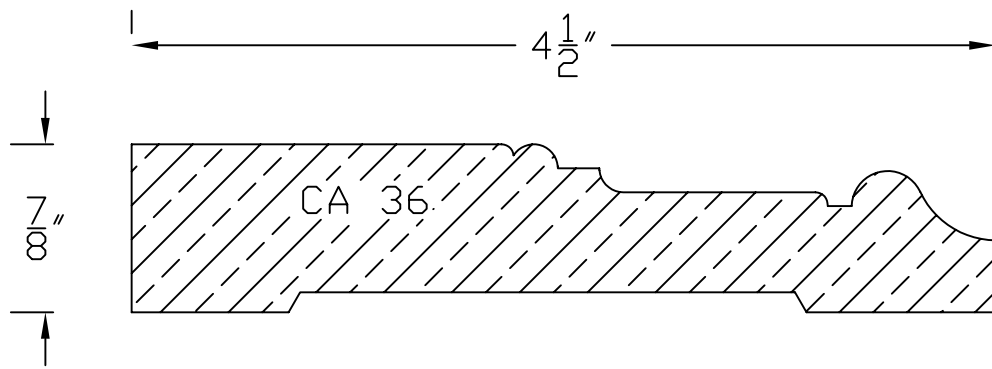
1 $\frac{5}{8}$ "

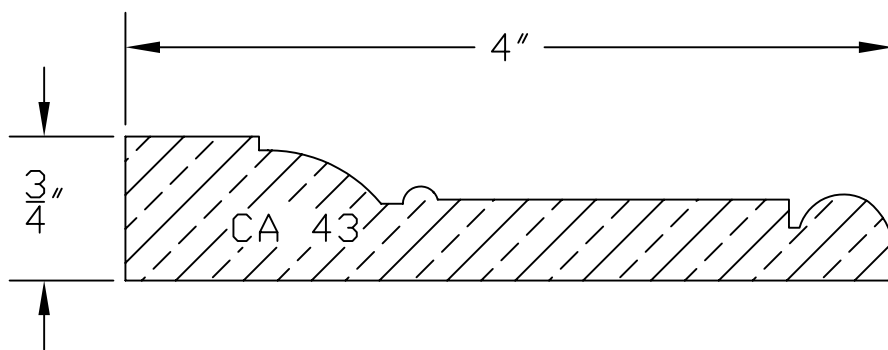
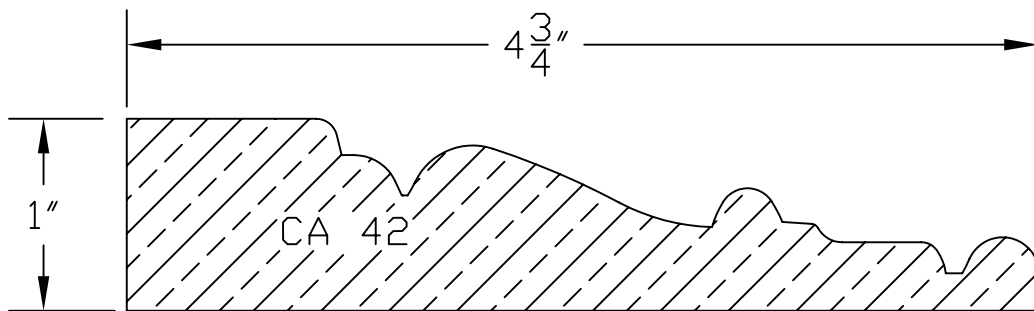
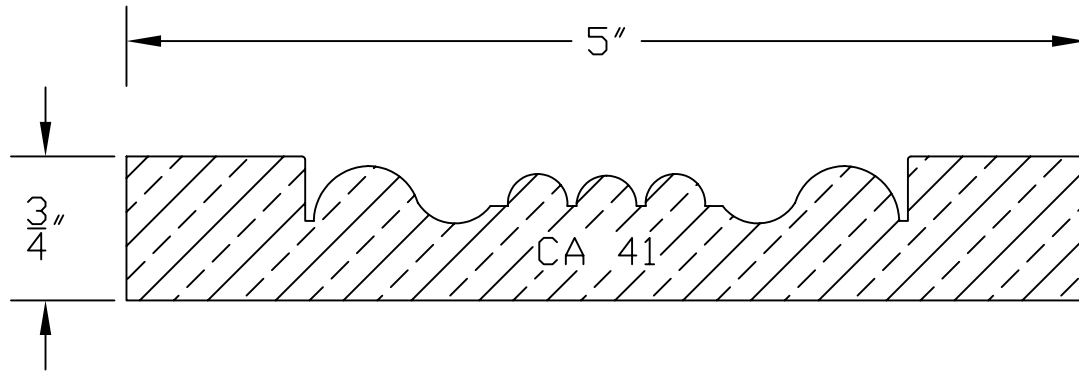
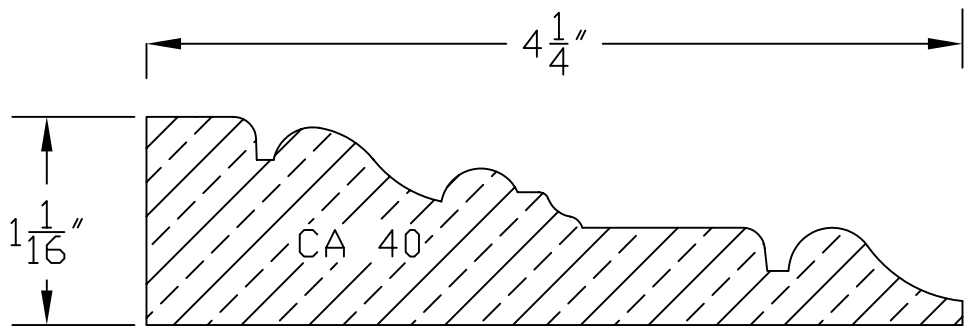
3 $\frac{3}{4}$ "

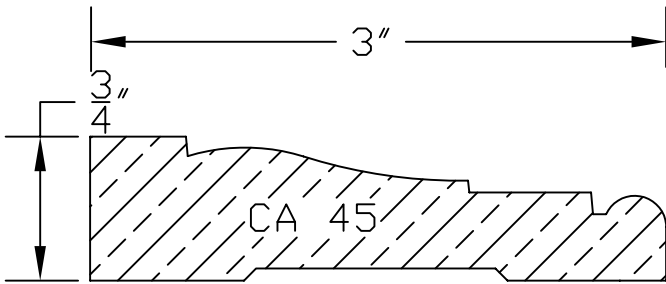
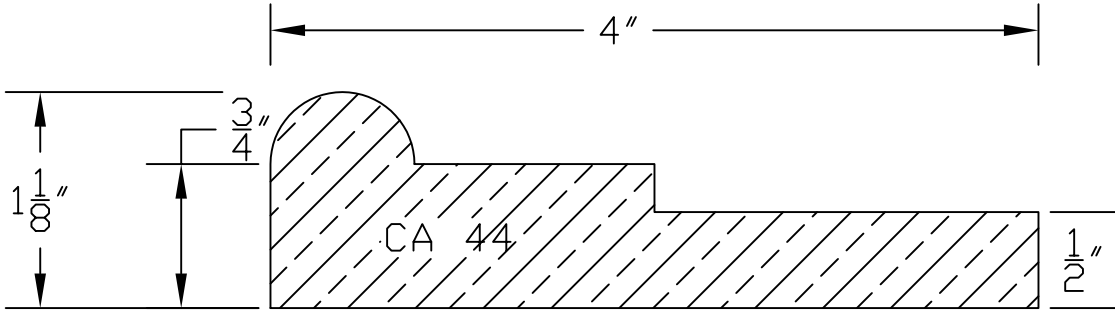


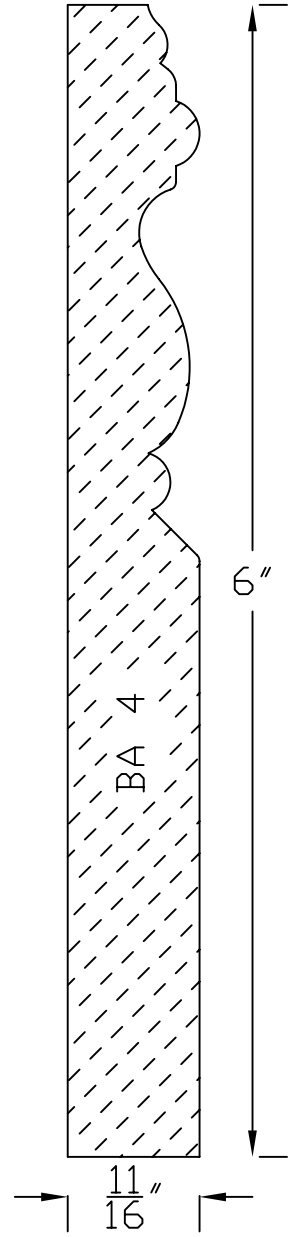
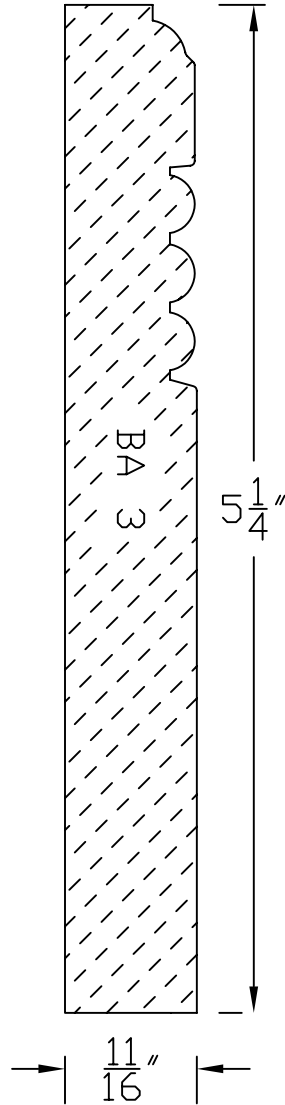
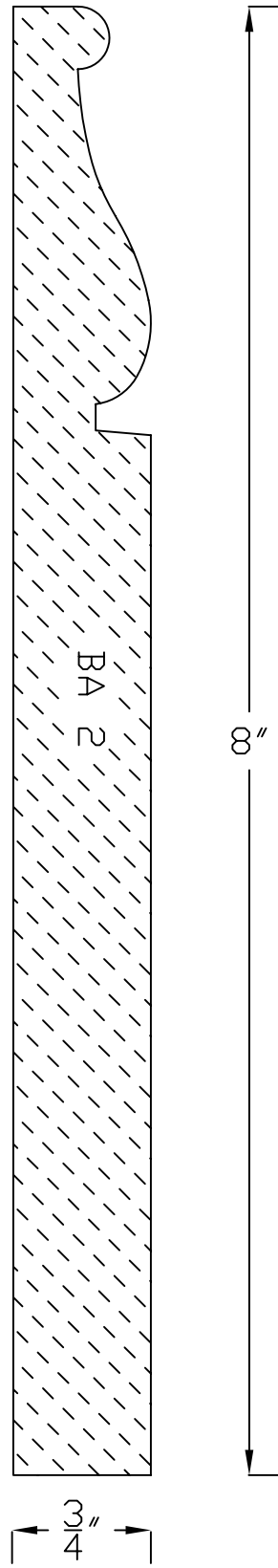
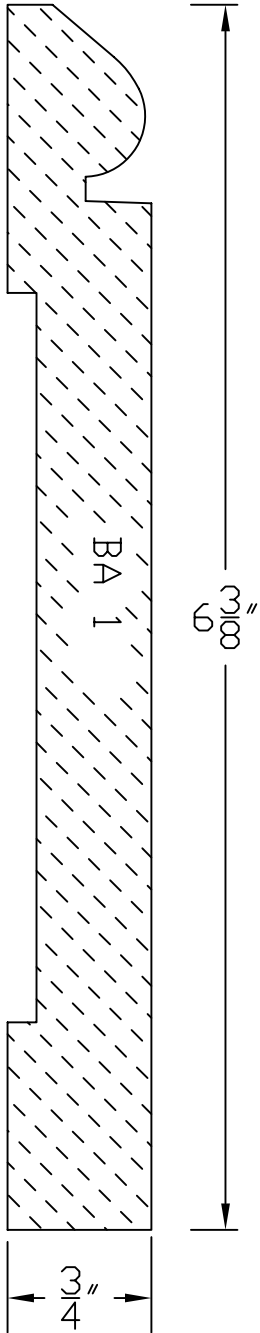
4 $\frac{1}{4}$ "

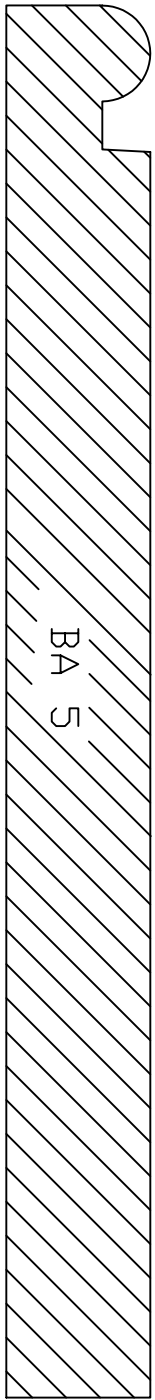




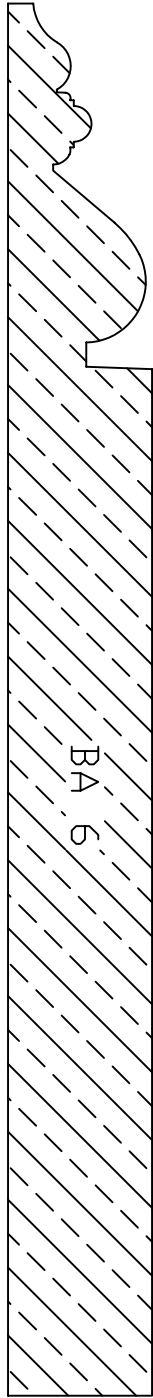
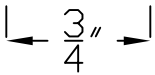
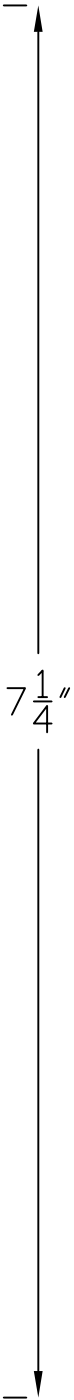




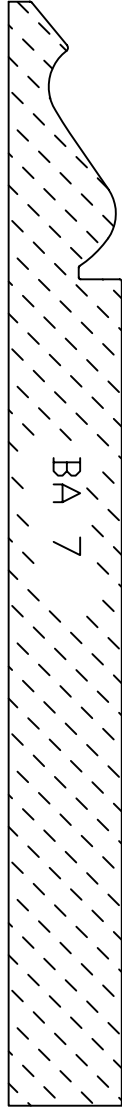
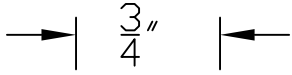
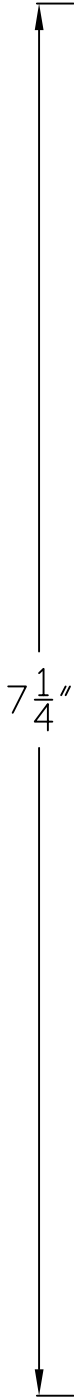




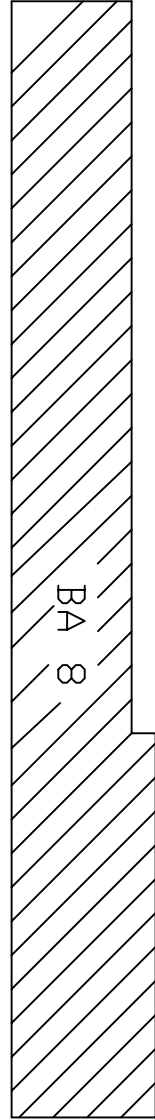
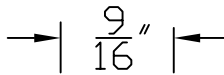
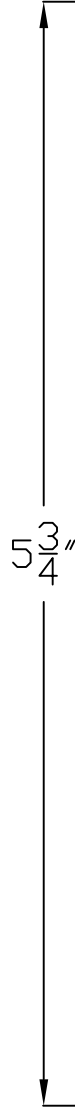
BA 5



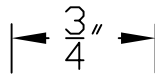
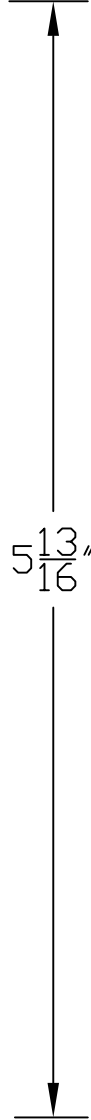
BA 6

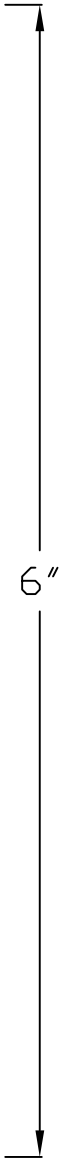
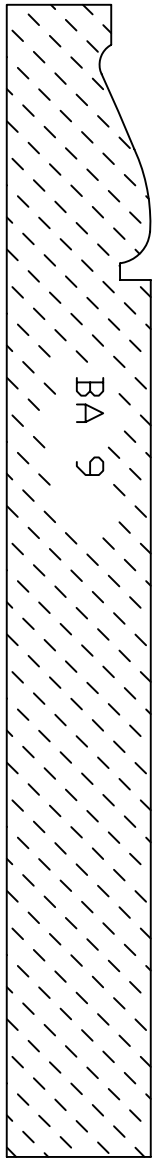


BA 7

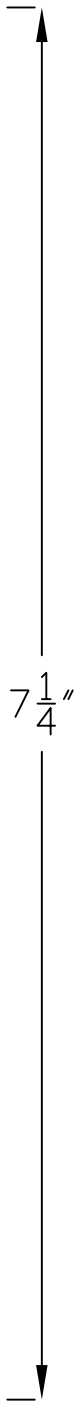
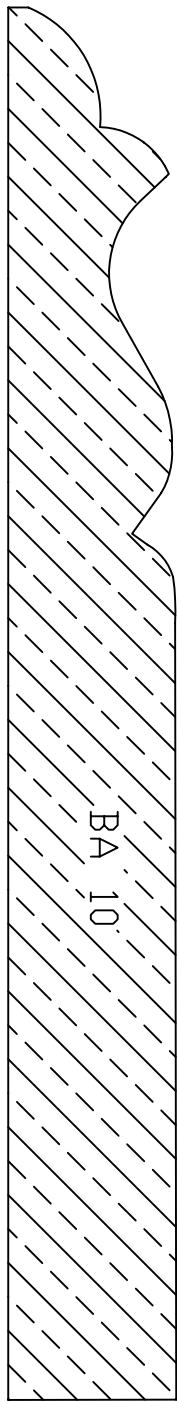


BA 8

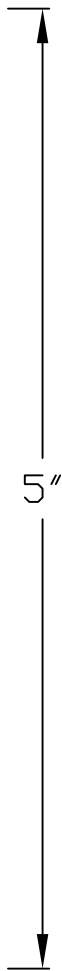
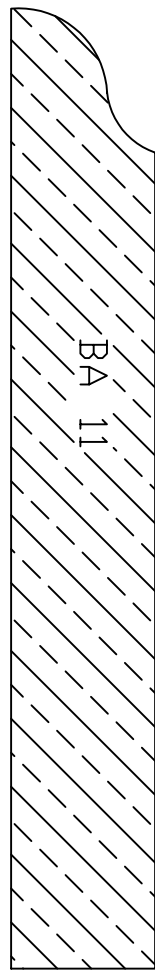




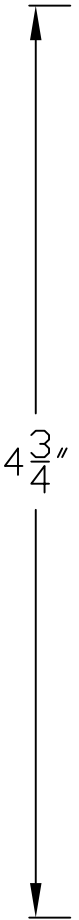
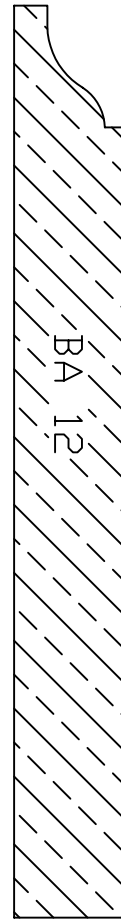
$\frac{3}{4}$ "



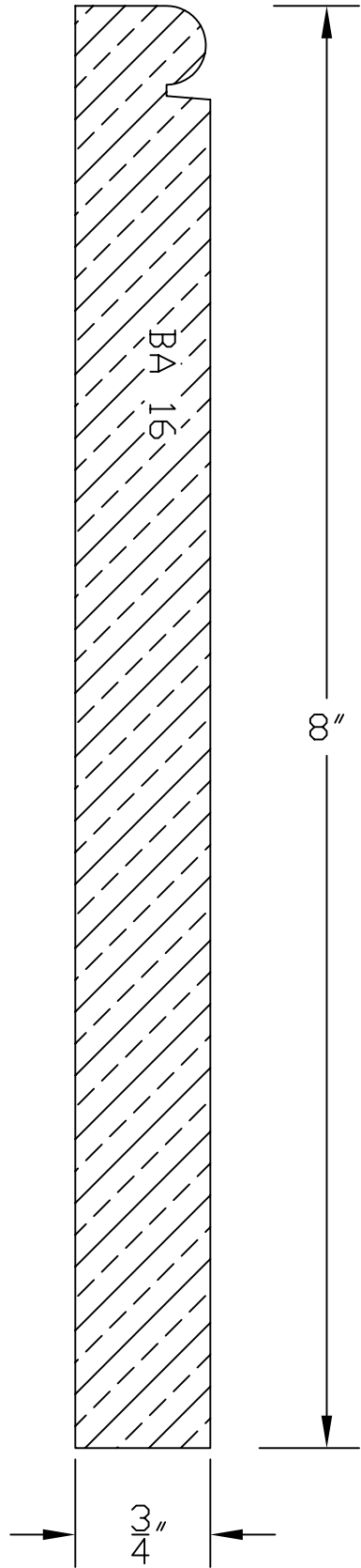
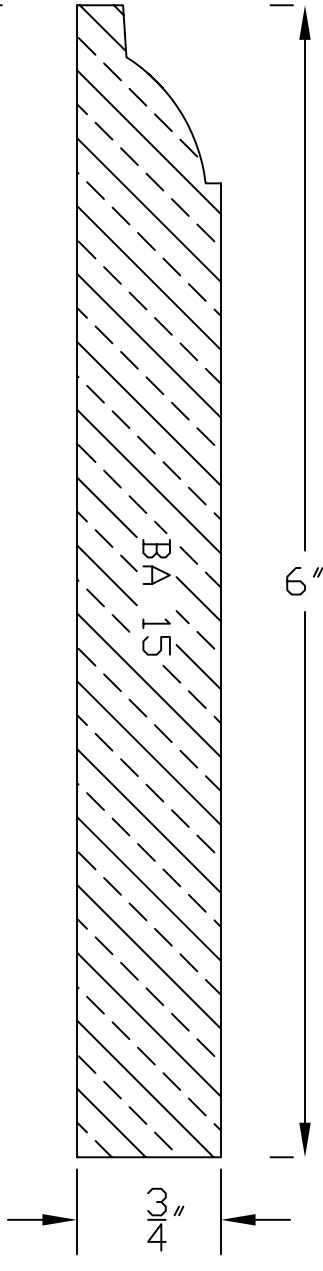
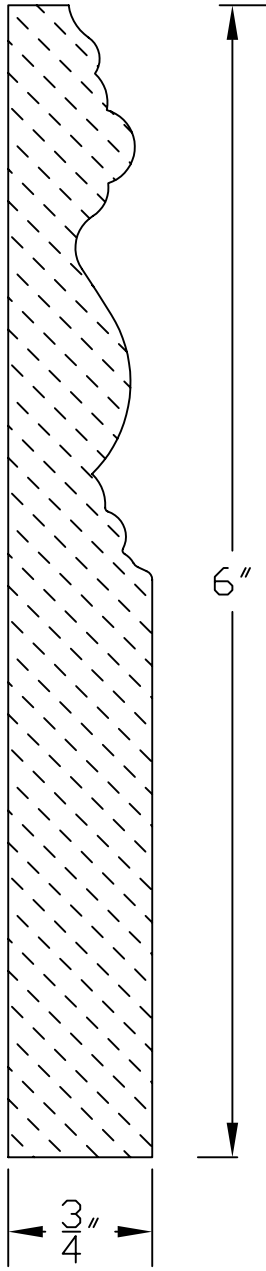
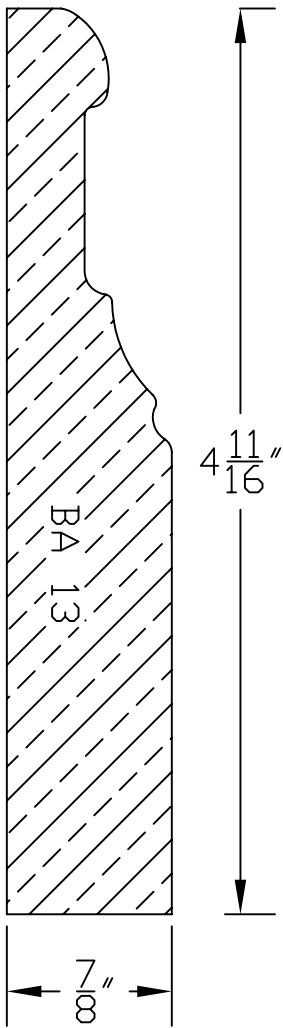
$\frac{7}{8}$ "

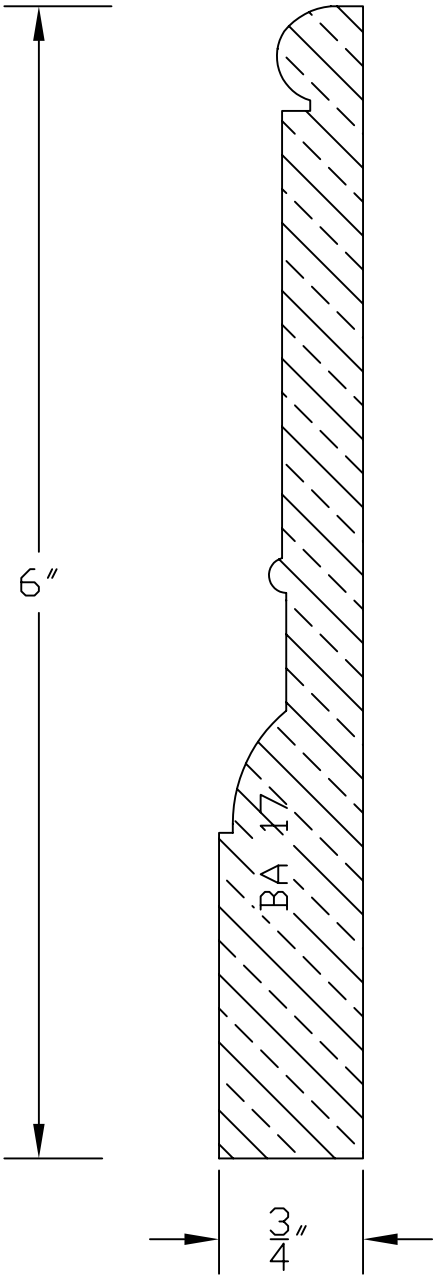


$\frac{3}{4}$ "

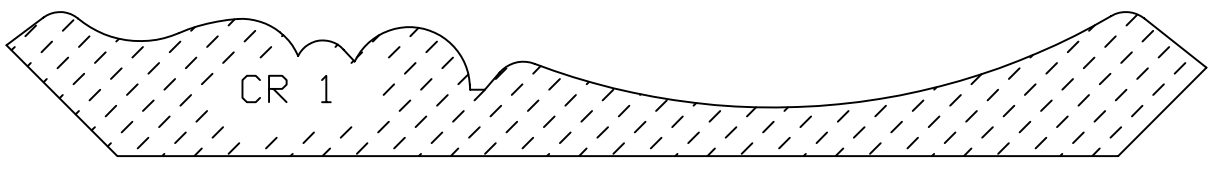


$\frac{9}{16}$ "





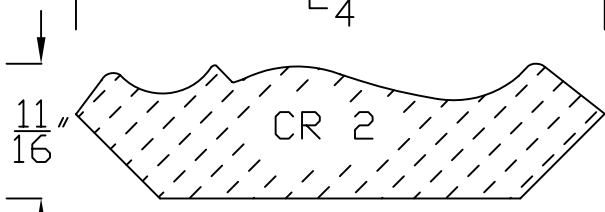
6 $\frac{1}{4}$ "



CR 1

$\frac{3}{4}$ "

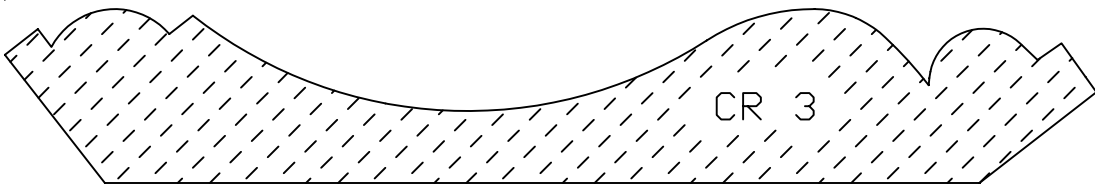
2 $\frac{3}{4}$ "



CR 2

$\frac{11}{16}$ "

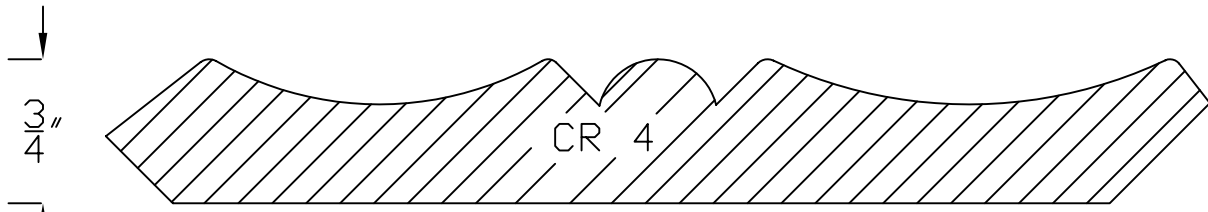
5 $\frac{11}{16}$ "



CR 3

$\frac{7}{8}$ "

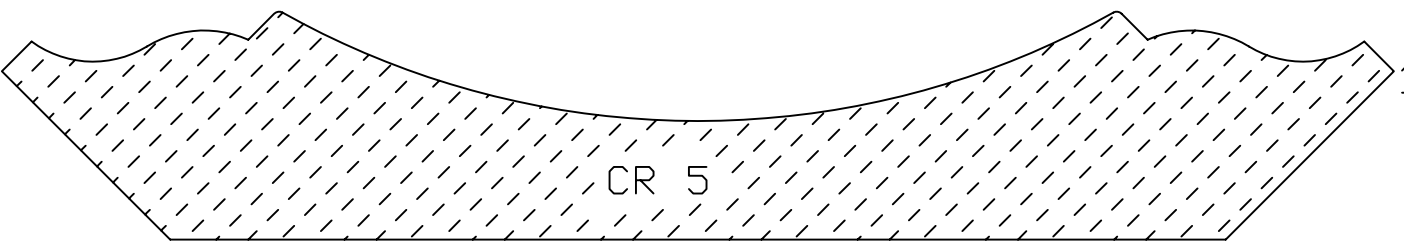
5 $\frac{3}{4}$ "



CR 4

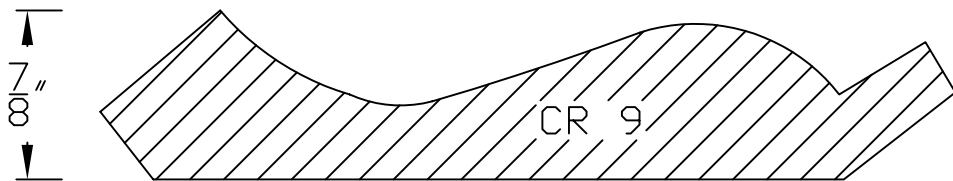
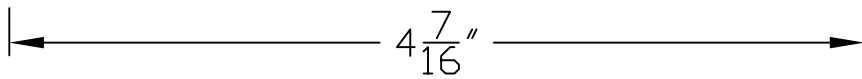
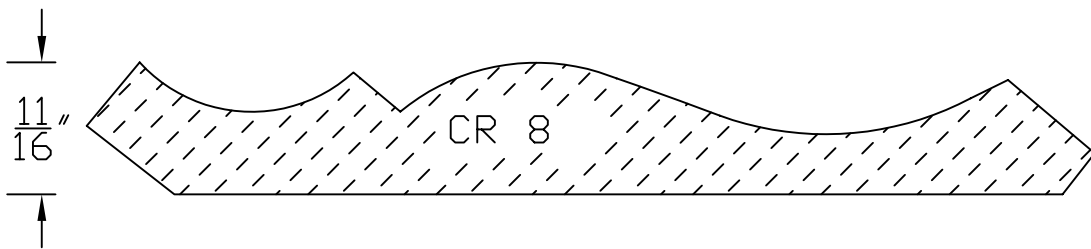
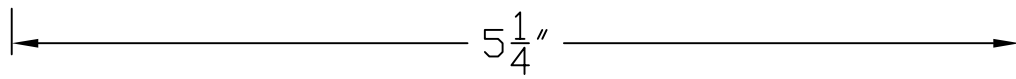
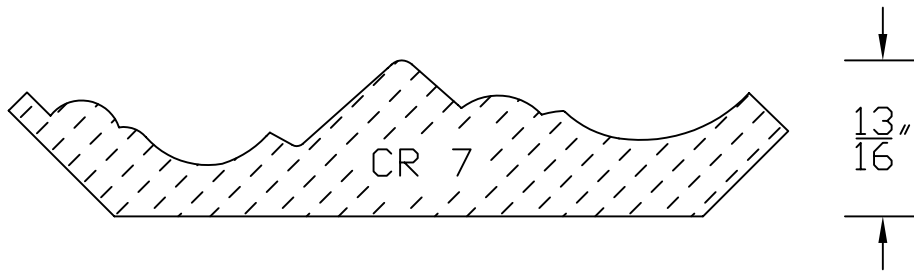
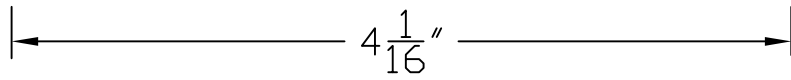
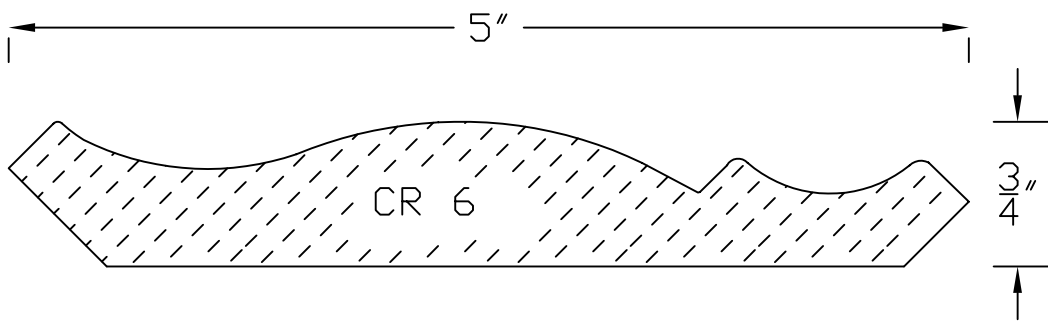
$\frac{3}{4}$ "

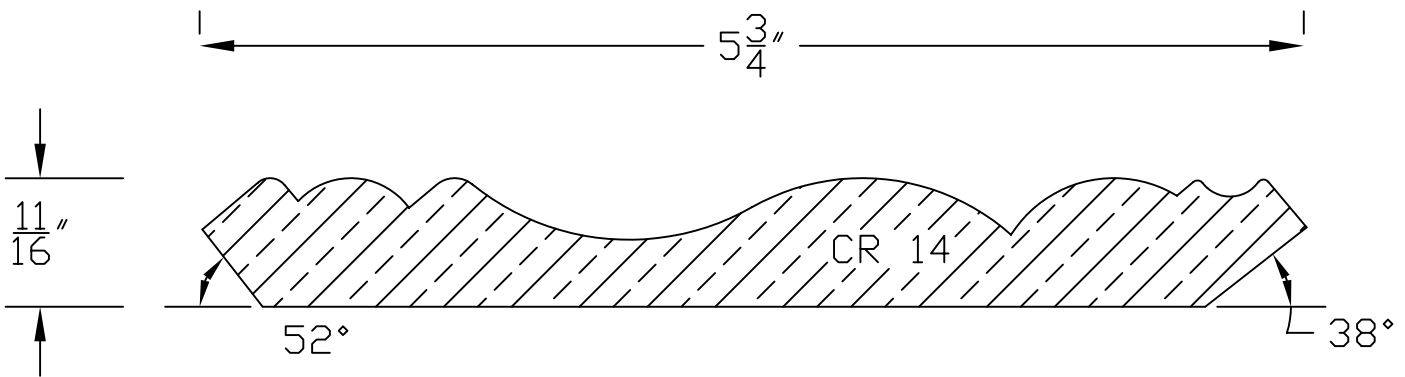
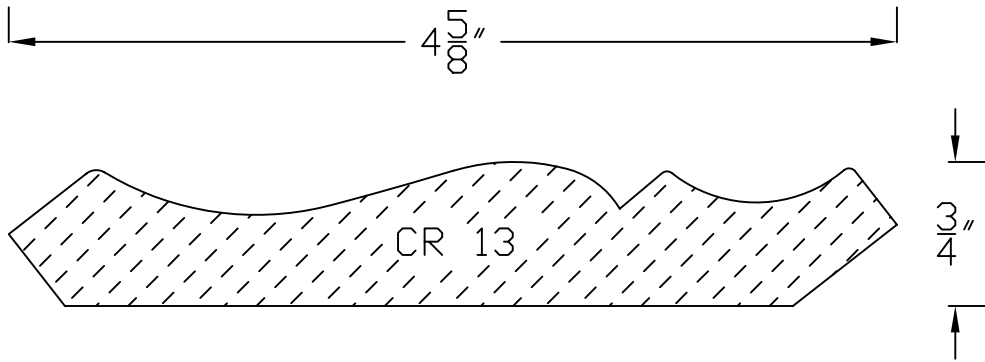
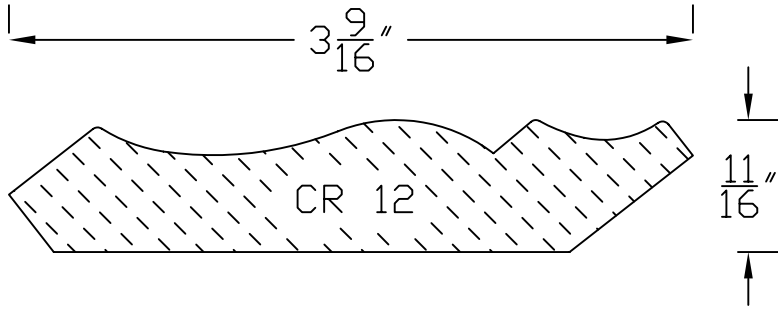
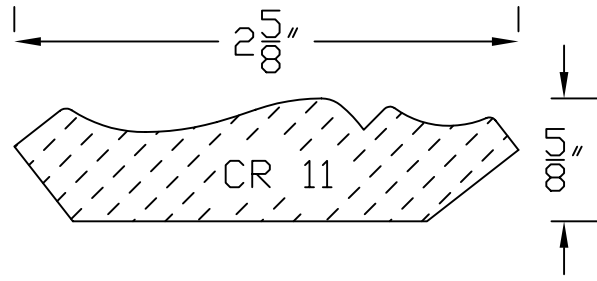
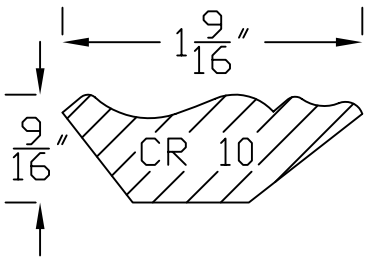
7 $\frac{1}{4}$ "

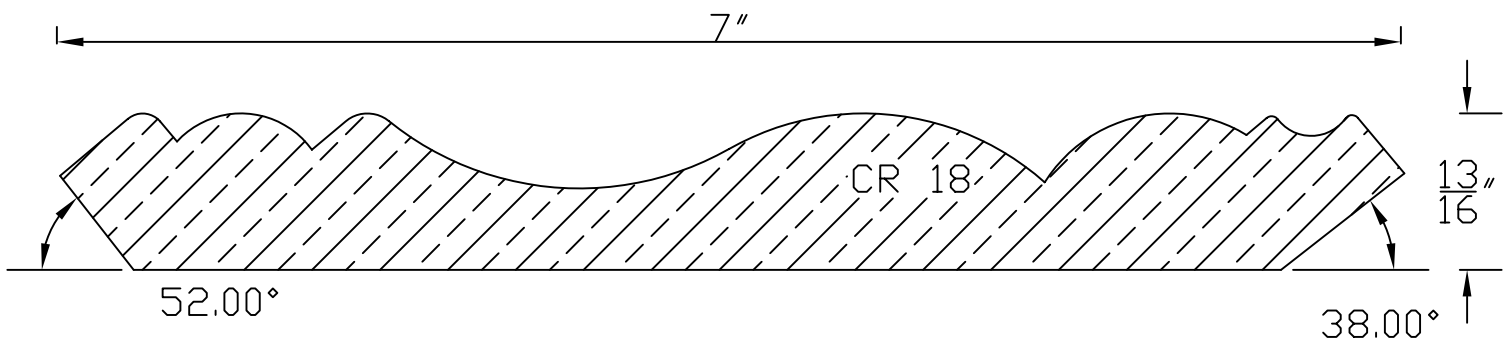
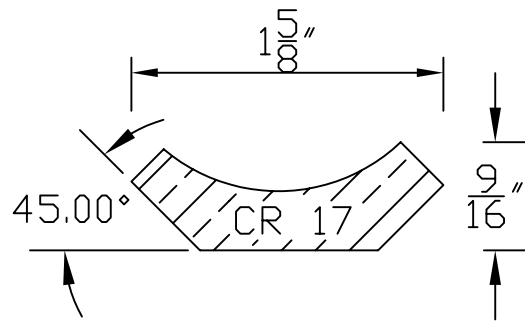
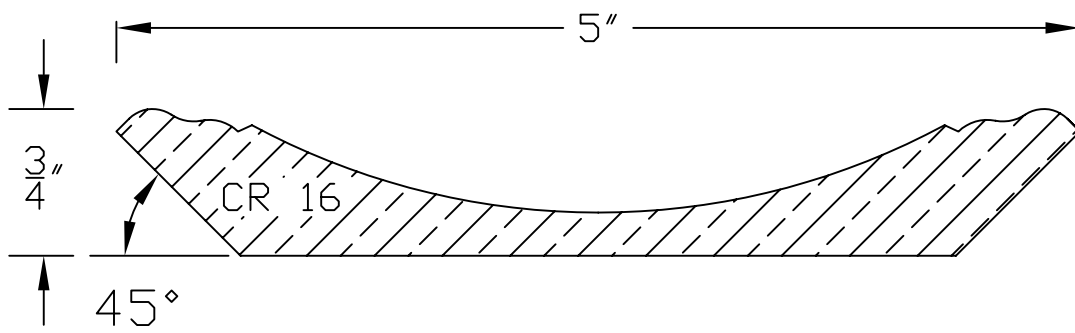
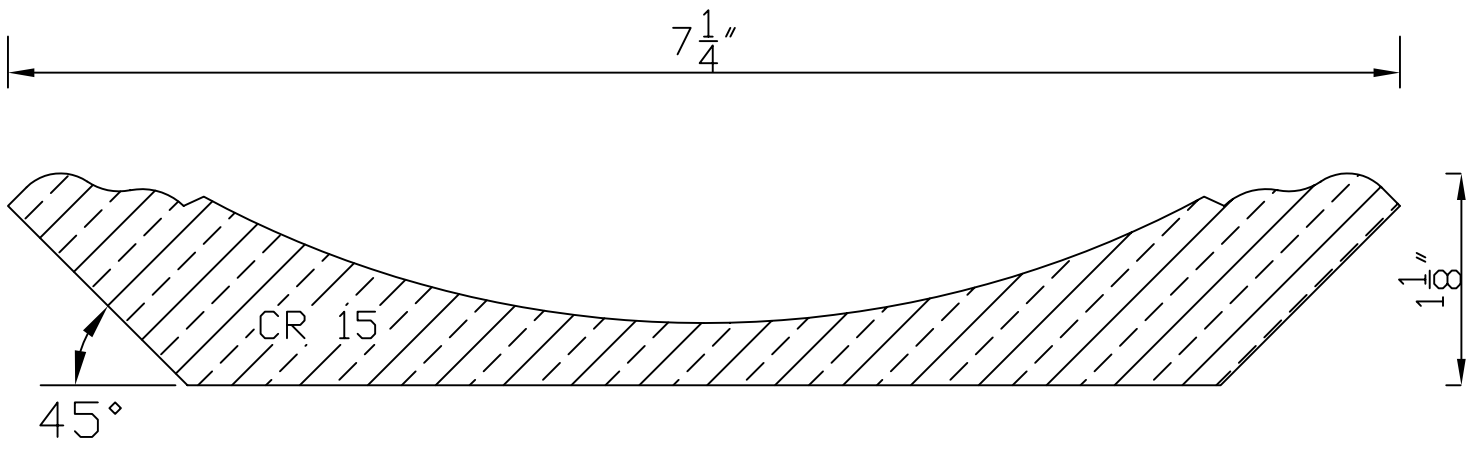


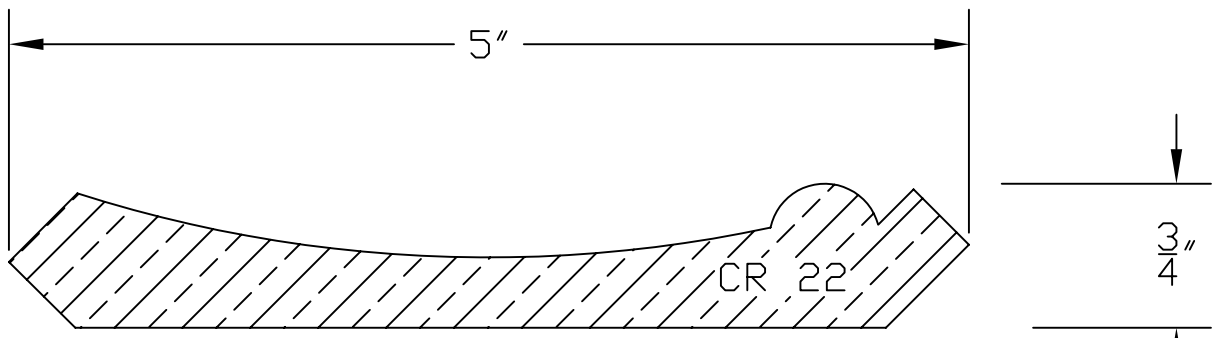
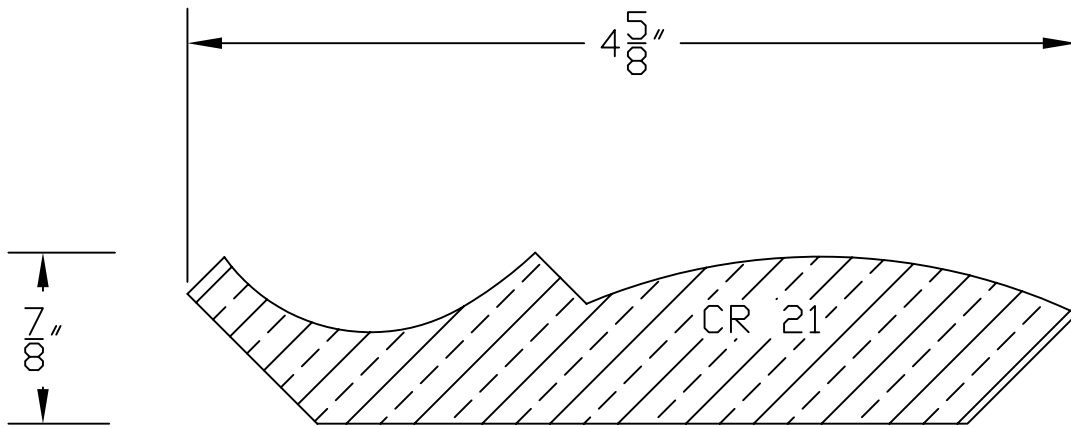
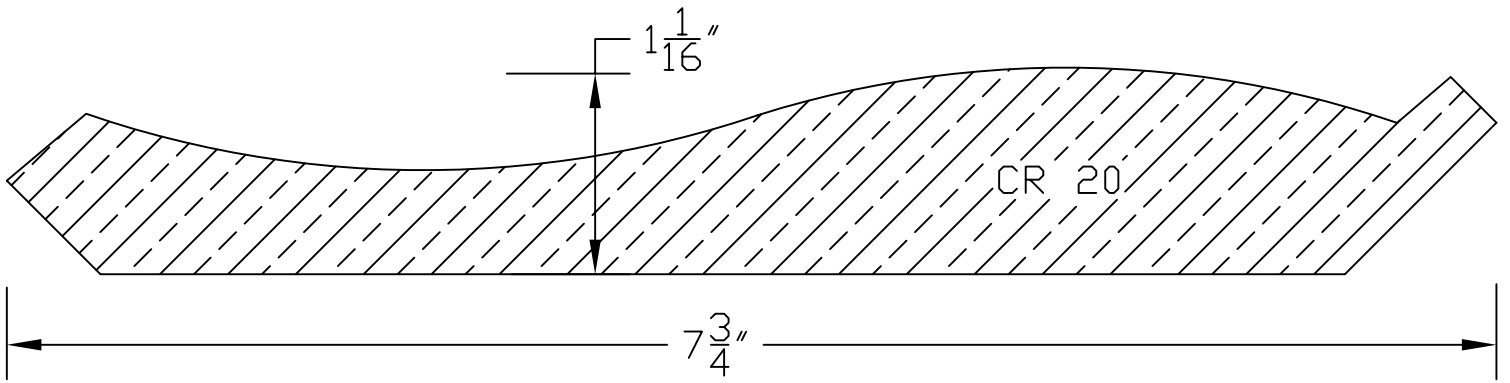
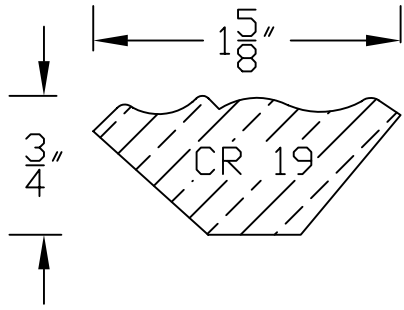
CR 5

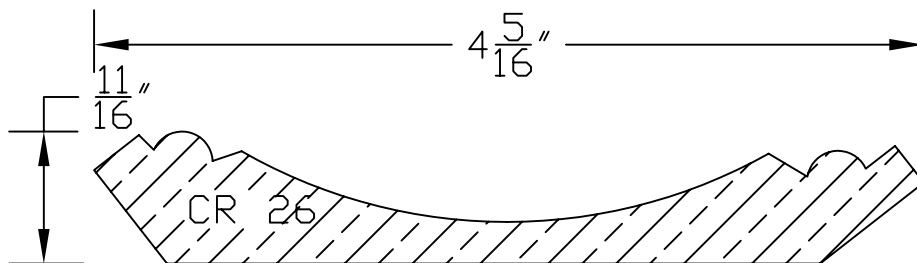
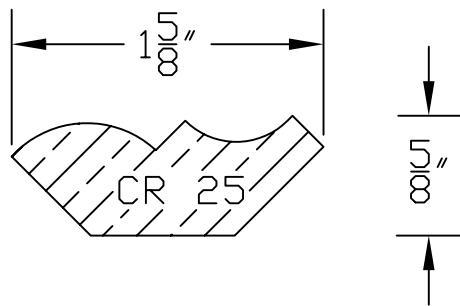
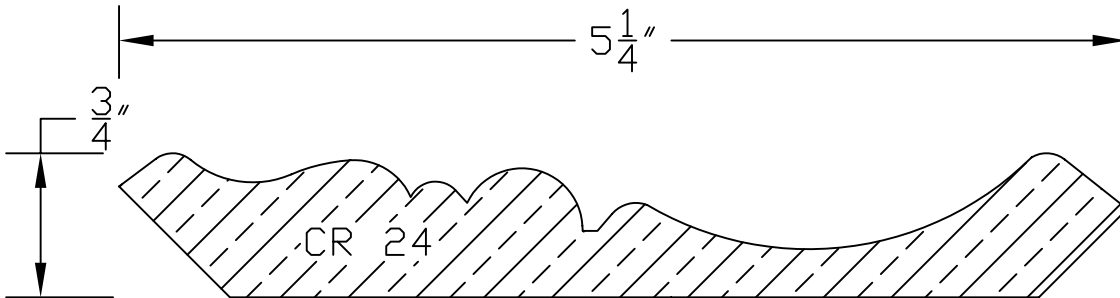
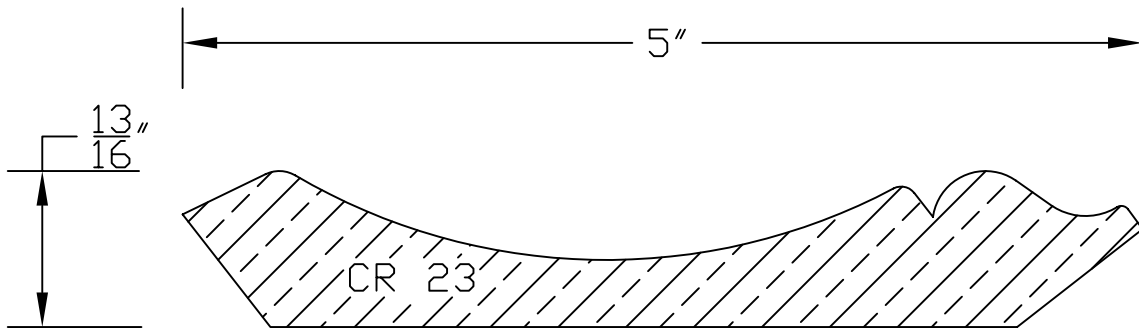
$1 \frac{3}{16}$ "

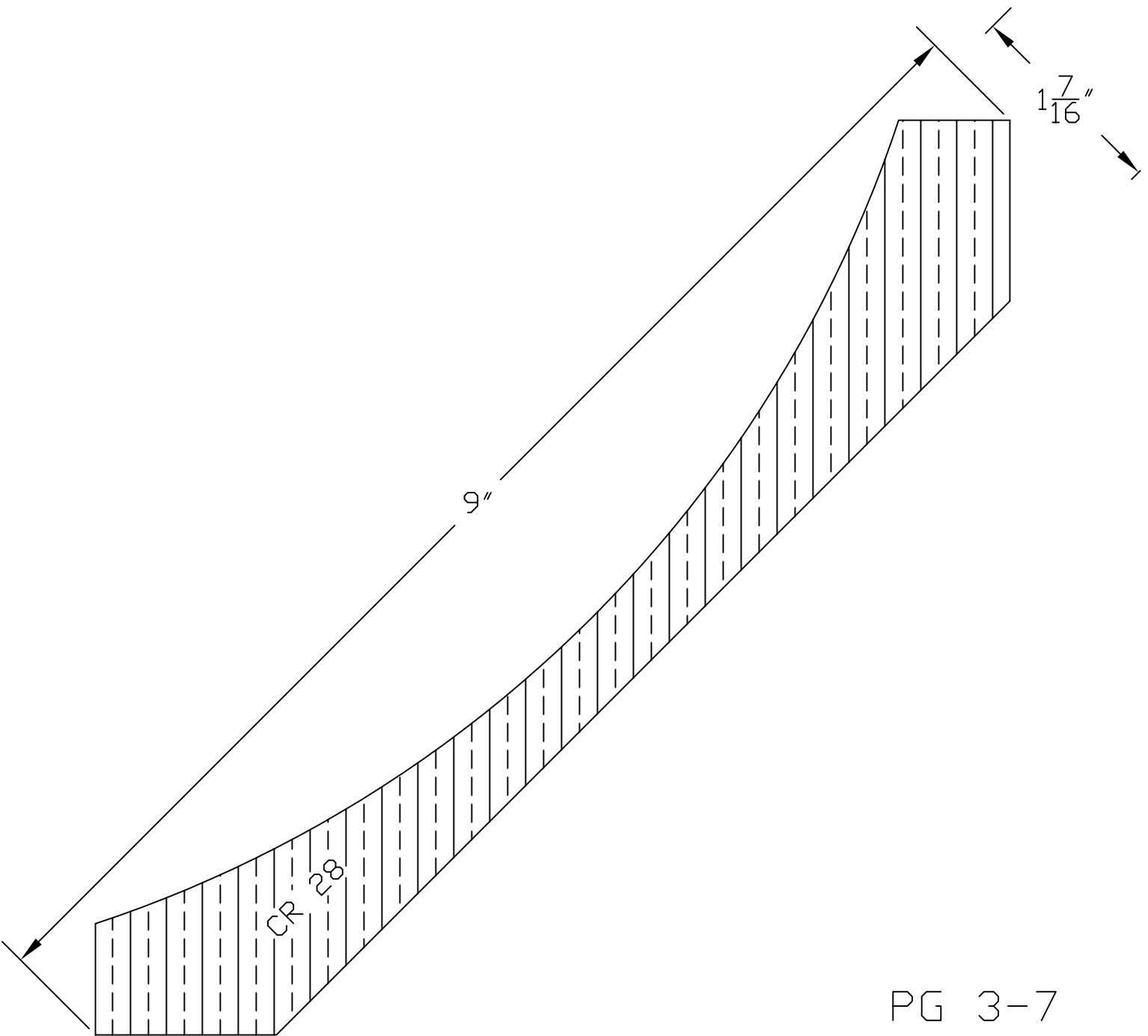
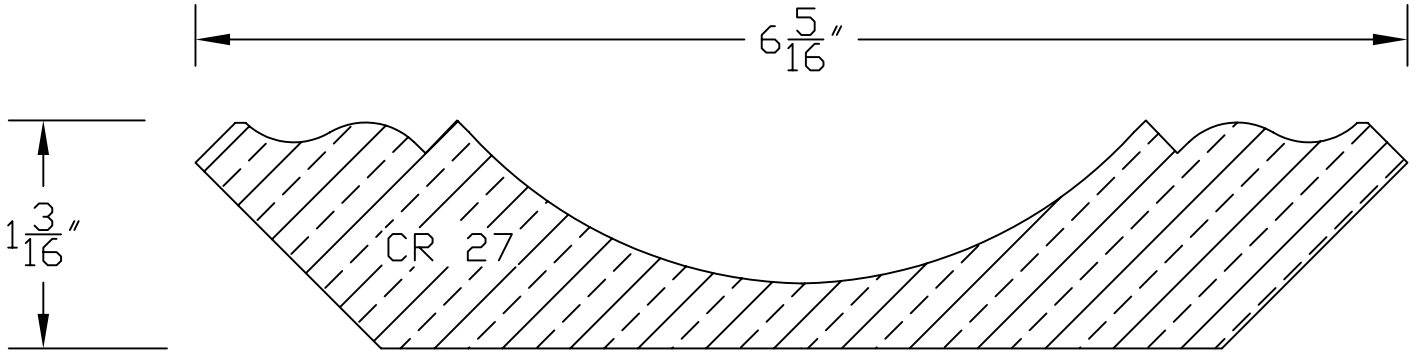


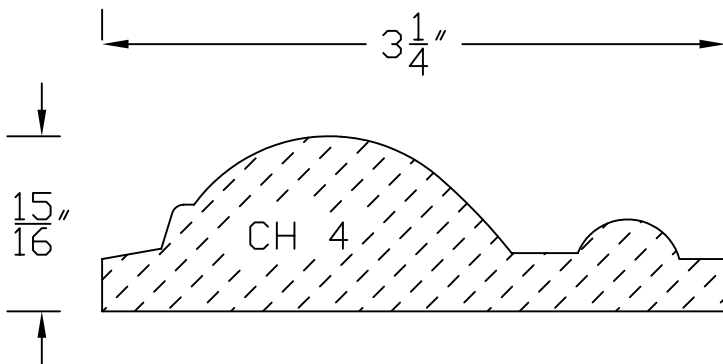
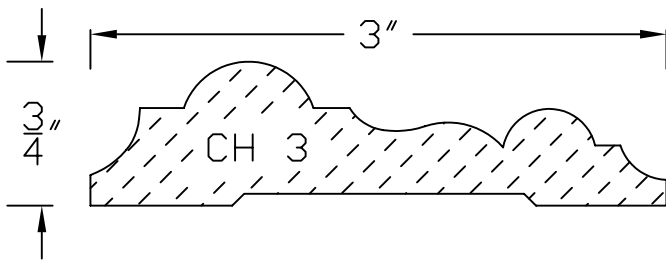
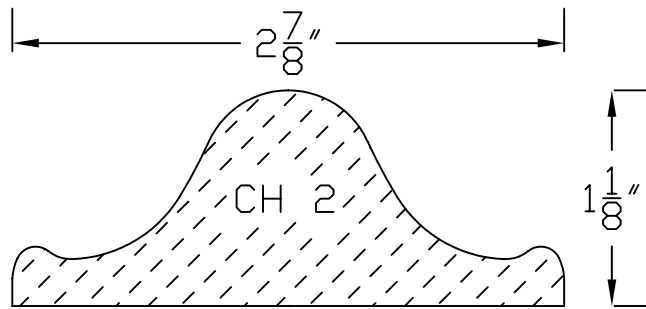
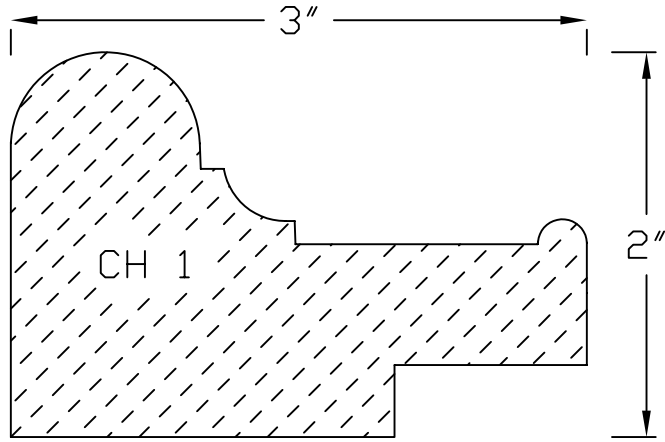


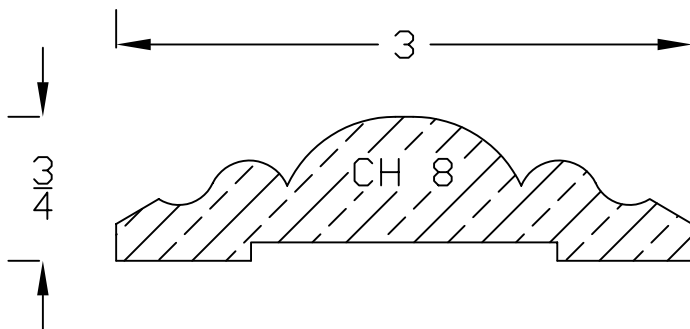
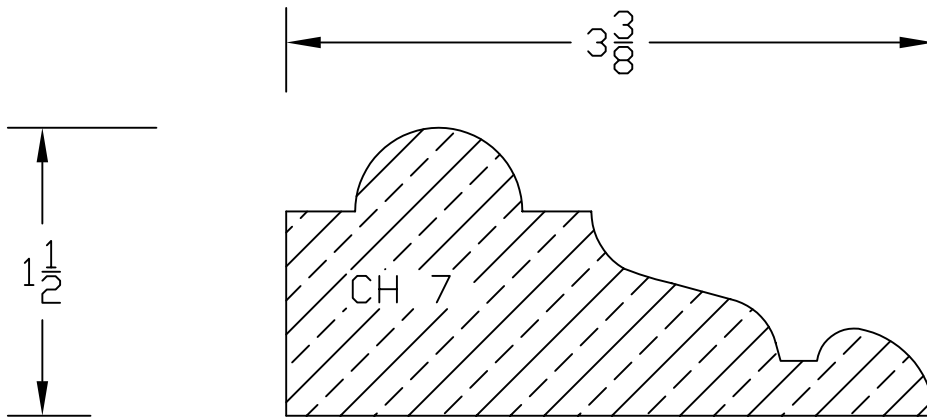
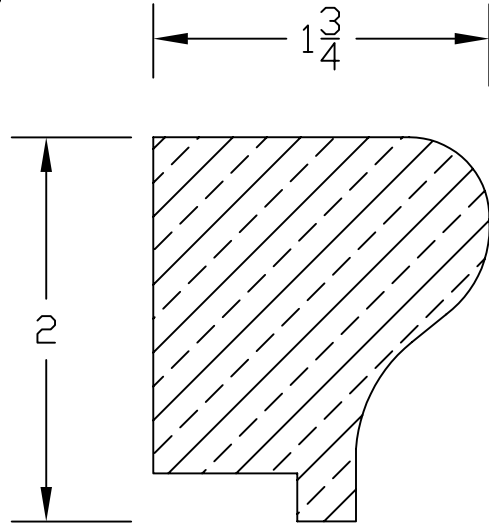
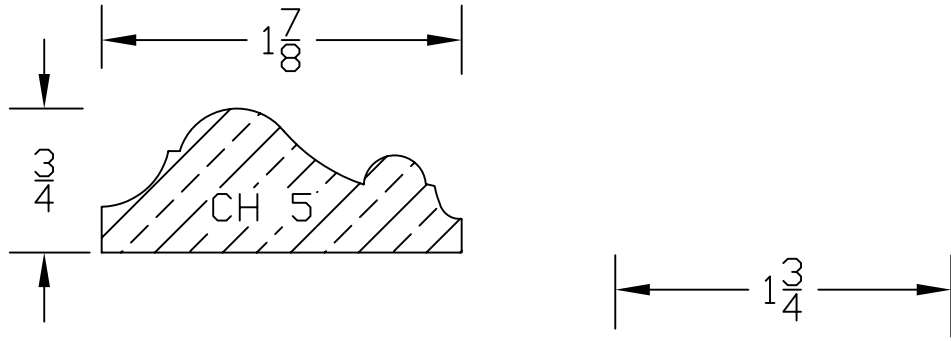


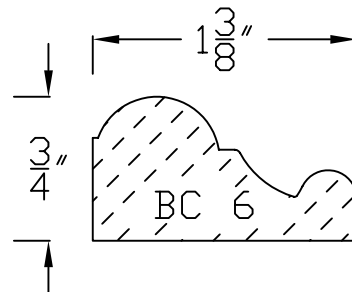
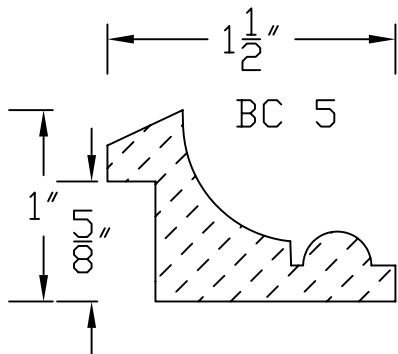
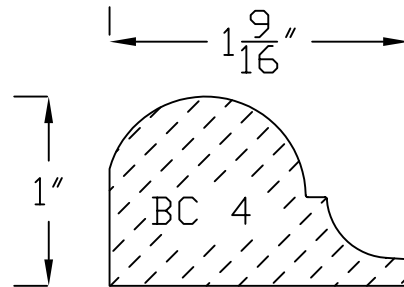
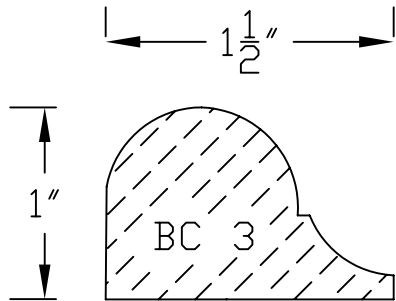
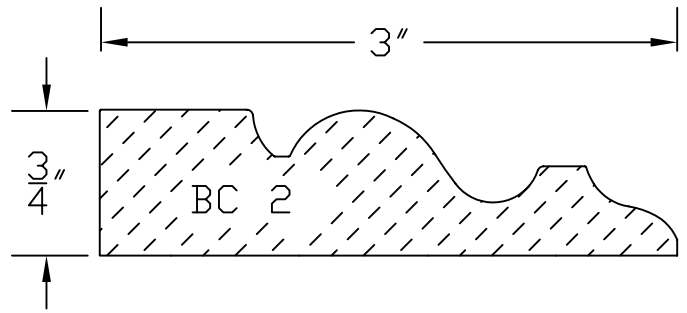
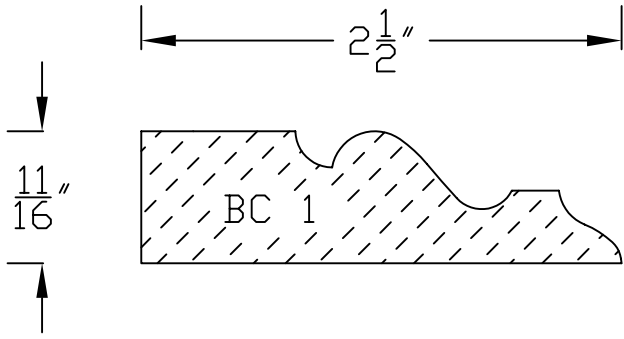


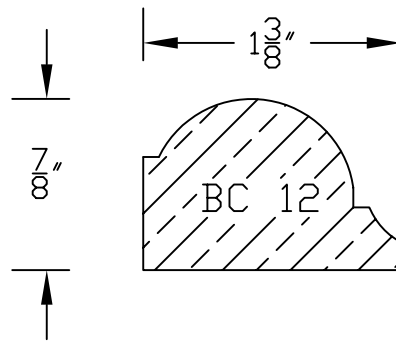
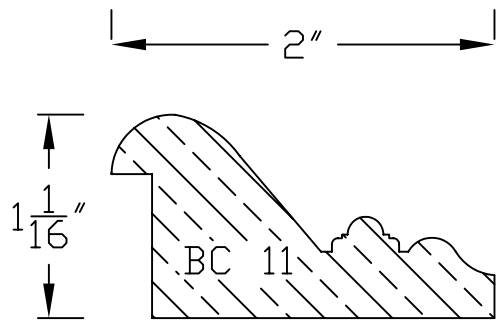
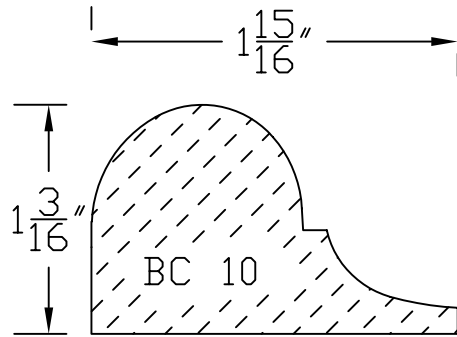
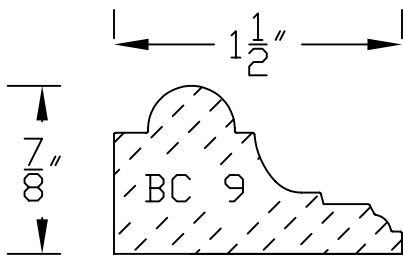
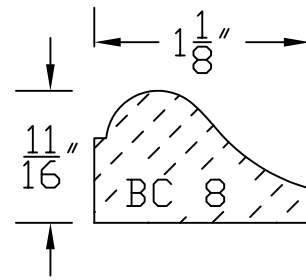
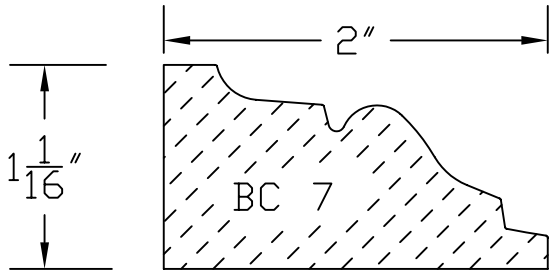


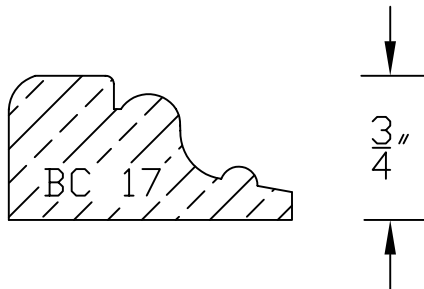
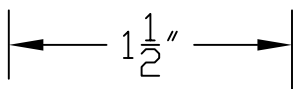
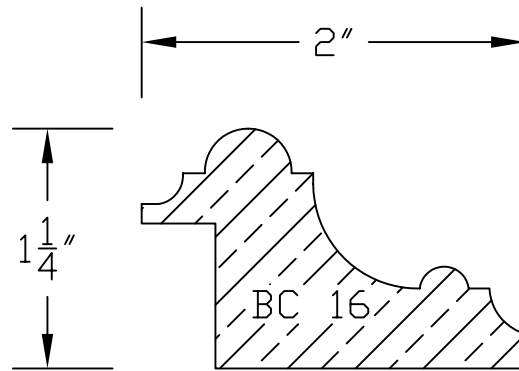
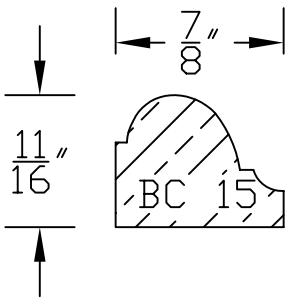
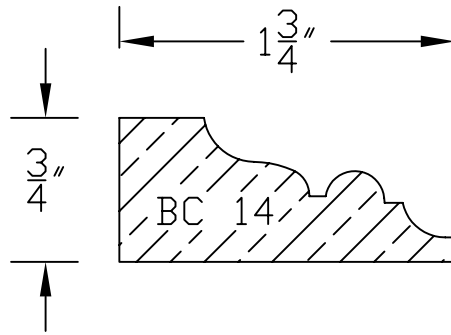
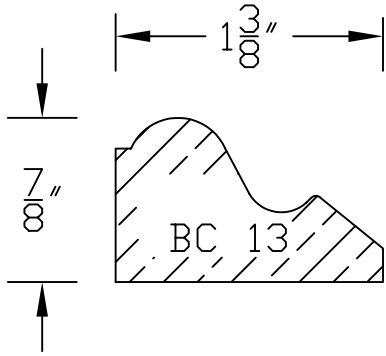




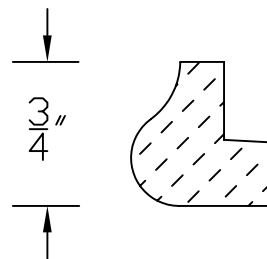
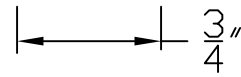


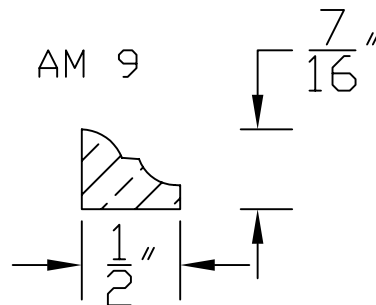
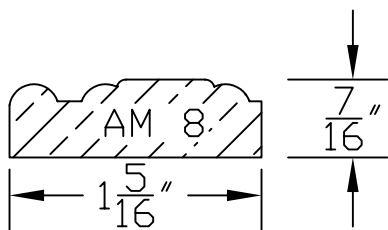
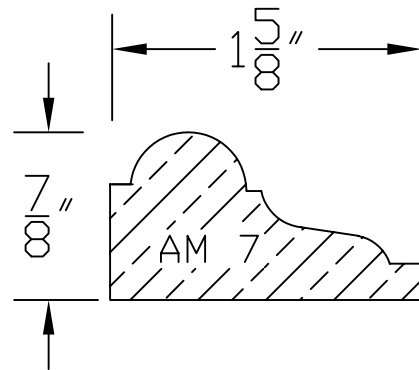
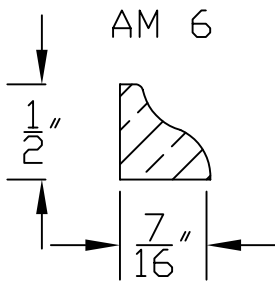
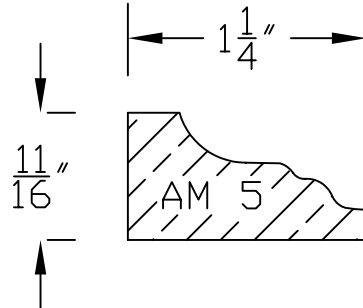
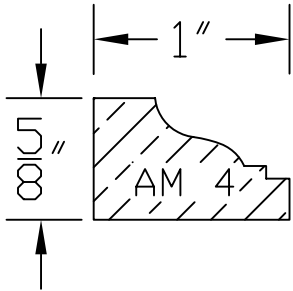
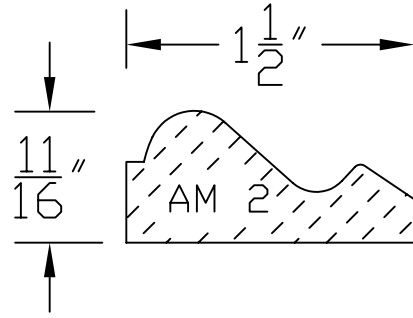
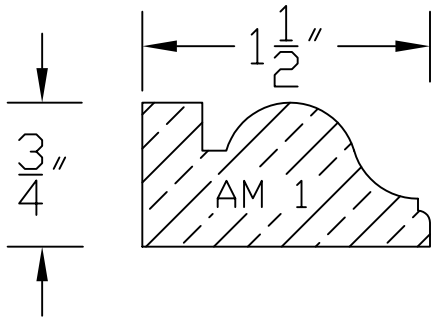


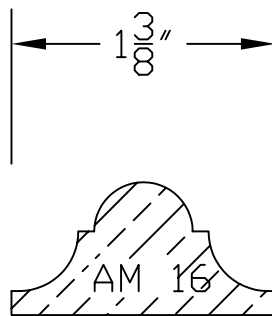
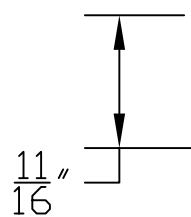
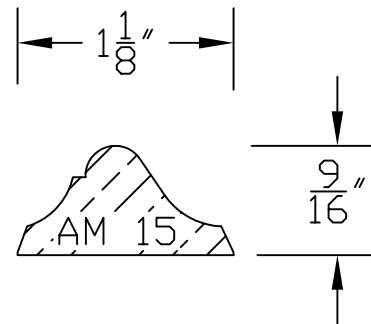
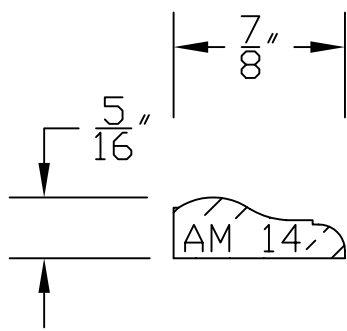
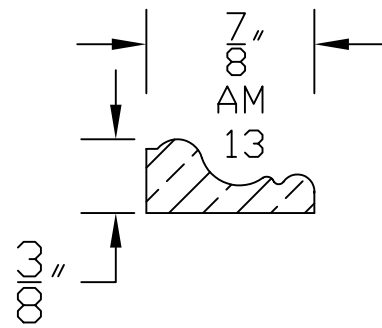
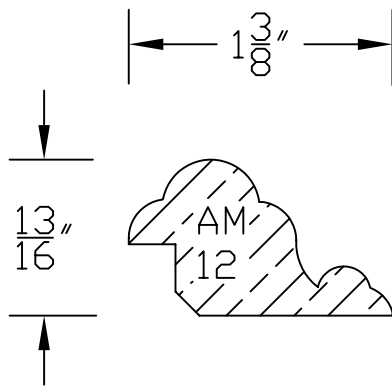
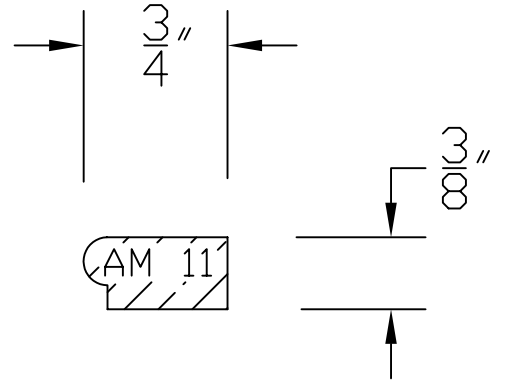
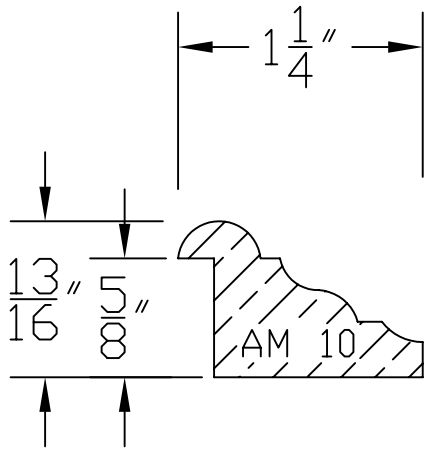




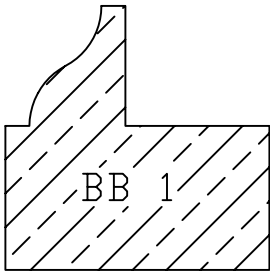
BC 18







$1\frac{3}{8}$ "



$\frac{3}{4}$ "

1"

1"

